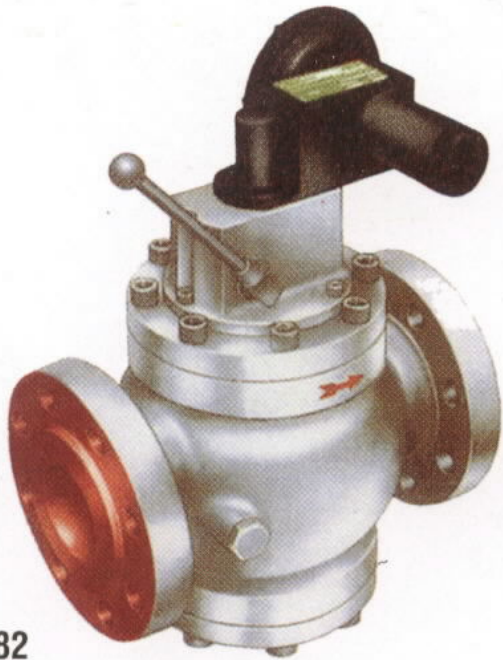
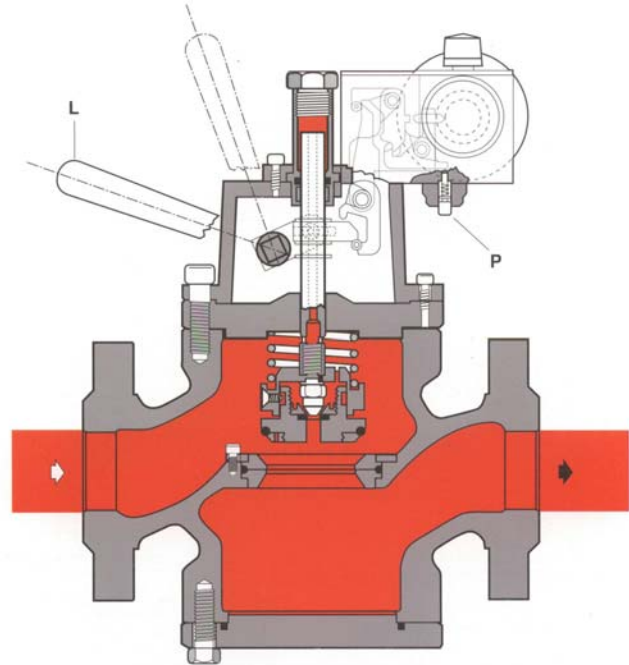


SBC 782 SLAM SHUT



SBC 782



- *Design pressure: 1,479 psig for All components*
- *Internal by-pass activated by Re-setting lever*
- *Closes on pressure increase or Decrease*
- *Ratings: ANSI 150, 300, 600 RF Connections*
- *Sizes: 1", 2", 3", 4", 6", 8"*
- *Accuracy: +/- 0.5% of the pressure Setting*
- *Small overall size*
- *Easy maintenance*
- *Outlet pressure range: .14 – 1,305 psig*
- *Manual push-button control*

OPTIONS:

- *Pneumatic or electromagnetic remote control*
- *Remote signal (contact or inductive micro switches)*

Pietro Fiorentini
4555 South Berkeley Lake Road
Norcross, GA 30071

888-618-8787 Fax 770-448-7312

www.fioussa.com

3-11