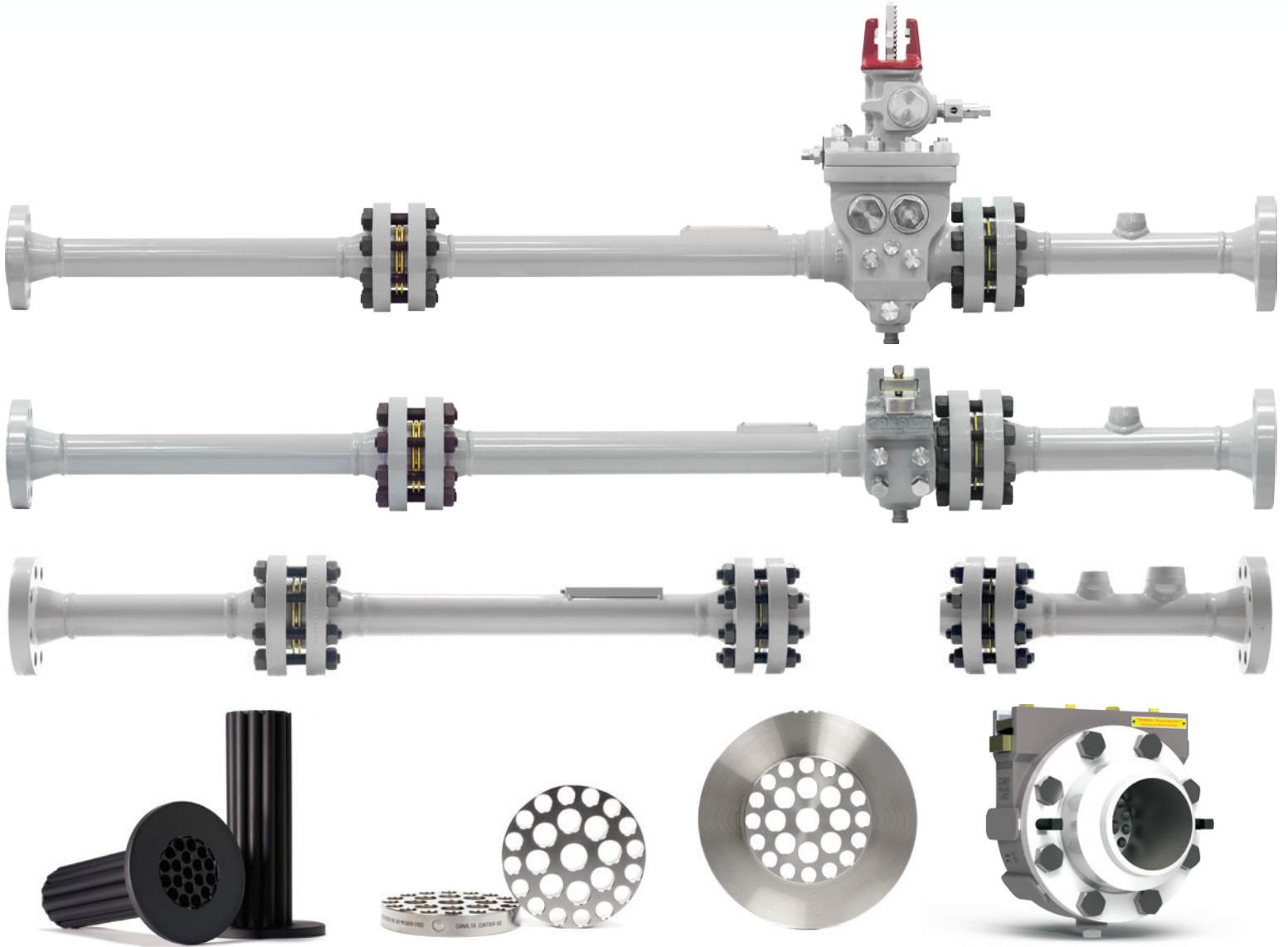


Canalta

Flow Measurement

A Canalta Controls Company



The Canalta Meter Run

Custom Designed using the *Latest Technology*, meeting the *Latest Standards*, providing the *Highest Accuracy*

Call Us Toll Free: 1-855-CANALTA

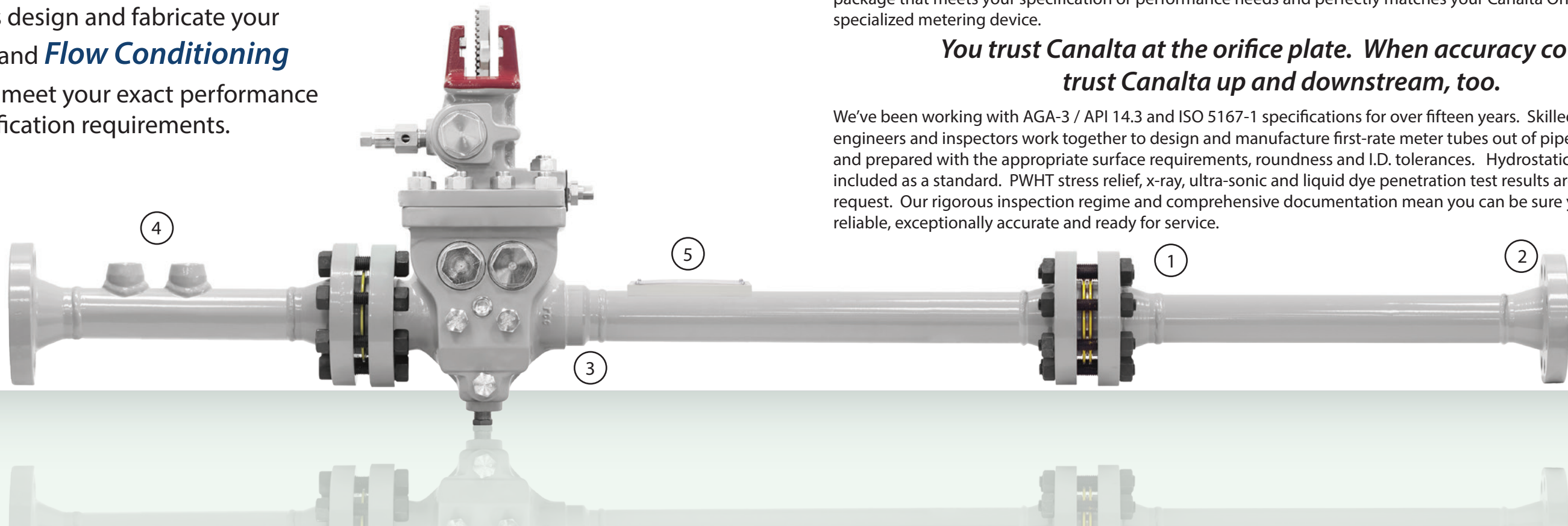
An ISO 9001:2008 registered company

Phone: 403.342.4494

Email: sales@canaltaflow.com

www.canaltaflow.com

Let the experts design and fabricate your **Meter Runs** and **Flow Conditioning Solutions** to meet your exact performance needs or specification requirements.



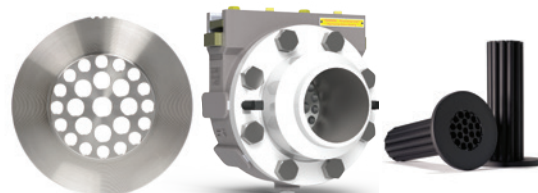
Canalta fabricates custom meter runs for all of our orifice fitting models and a variety of other metering applications. Whether the size is 2" or 30", high or low pressure, wet, dry or corrosive service, we can put together a custom meter run package that meets your specification or performance needs and perfectly matches your Canalta Orifice Fitting or other specialized metering device.

You trust Canalta at the orifice plate. When accuracy counts, trust Canalta up and downstream, too.

We've been working with AGA-3 / API 14.3 and ISO 5167-1 specifications for over fifteen years. Skilled technicians, engineers and inspectors work together to design and manufacture first-rate meter tubes out of pipe carefully selected and prepared with the appropriate surface requirements, roundness and I.D. tolerances. Hydrostatic test results are included as a standard. PWHT stress relief, x-ray, ultra-sonic and liquid dye penetration test results are available on request. Our rigorous inspection regime and comprehensive documentation mean you can be sure your meter run is reliable, exceptionally accurate and ready for service.

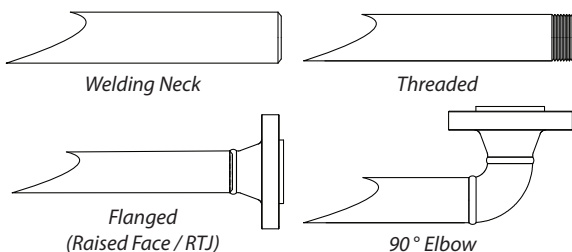
1 CONTOUR™ FLOW CONDITIONING SOLUTIONS

The goal of meter run design is to account for swirl and turbulence. Suitable for a wide range of flow measurement methods and equipment, Canalta's Contour™ lineup of Flow Conditioners, Flow Conditioner Housings and Straightening Vanes will help you develop the flow profile you need to achieve maximum performance and accuracy in the field.



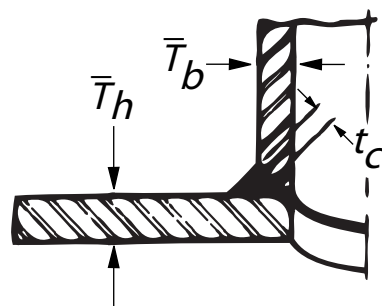
2 END CONNECTION OPTIONS

Canalta Meter Runs can be fabricated with a variety of standard tube ends. All inner surface welds are precision ground and inspected to meet exacting I.D. surface and roundness tolerances. Per your requirements, two and three-piece meter runs can have dissimilar end types up and downstream of the orifice fitting.



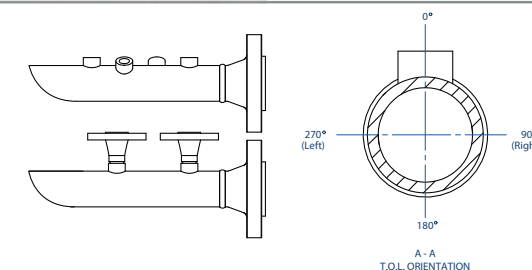
3 WELDING STANDARDS

Each Canalta Meter Run is professionally fabricated by our team of certified "B" Pressure Welders and experienced pipe finishers to meet and exceed the stringent specifications of AGA / API / ISO. Our welding procedures are registered with the Alberta Boiler and Safety Association (ABSA) and are in accordance with the applicable ASME Boiler and Pressure Vessel Codes. Canalta will ensure that all of your NDT and stress relieving requirements are met with full documentation.



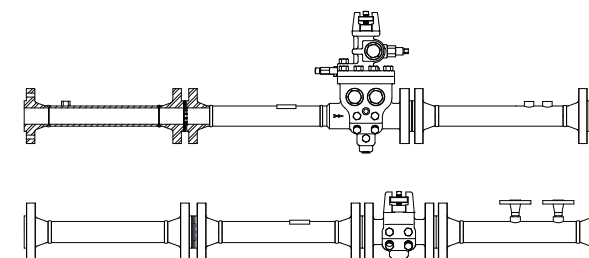
4 BRANCH CONNECTION OPTIONS

Industry standard offerings provide one 1" and one 3/4" branch connection on the downstream spool. Our custom meter tube design capability allows us to fabricate nearly any combination of weldolets, sockolets, flanged outlets, threadolets and latrolets in any size and orientation.



5 METER RUN SPECIFICATION PLATE

All Canalta Meter Runs include a specification plate mounted immediately upstream of the primary measurement element. These spec plates detail pipe schedule, pressure rating, maximum beta, maximum orifice and other information essential to proper operation.



With literally endless configurations possible, Canalta will custom design and fabricate your meter run for any application.

ACCURACY, RELIABILITY, PERFORMANCE.

Call Us Toll Free: 1-855-CANALTA

