

Canalta

Flow Measurement

A Canalta Controls Company



Canalta Orifice Fitting Parts & Accessories

Precision Machined for Accuracy, Reliability and Performance

Call Us Toll Free: 1-855-CANALTA

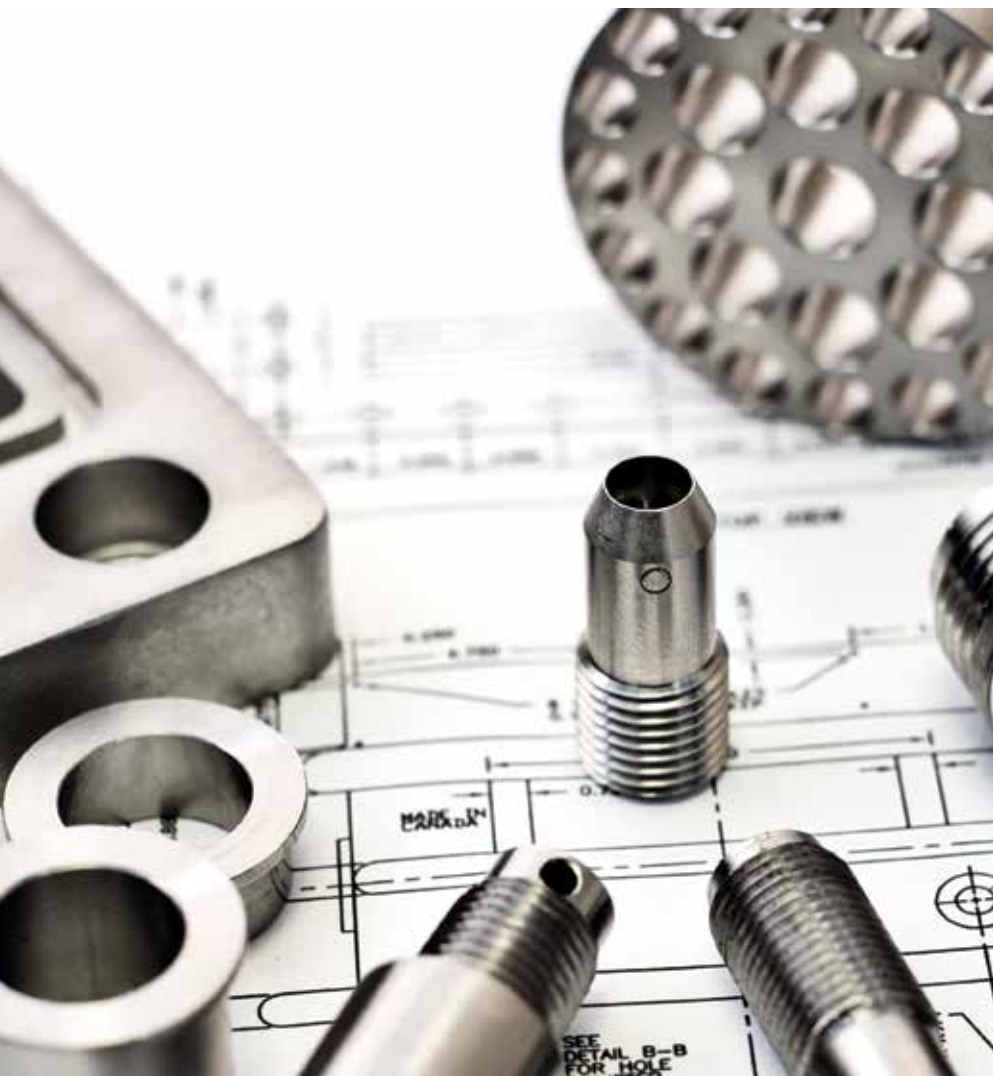
An ISO 9001:2008 registered company

Phone: 403.342.4494

Email: sales@canaltaflow.com

www.canaltaflow.com

Canalta Flow Measurement is a privately held Canadian company that began operations in 1986 as an instrumentation and electrical contractor. Since 1991, the focus has been on the manufacture of industrial control and measurement equipment. The company now manufactures and services several product lines specifically targeting the oil and gas industries, and supplies product across North America, South America, Asia and the Middle East. Canalta has grown to include primary manufacturing and warehousing facilities in Red Deer, Alberta and Dallas, Texas, direct sales offices in Buenos Aires and Suffolk, UK, and an extensive global distribution network.



Quality Matters

When you are in the market for parts, trust the **OEM**. The quality of Canalta Orifice Fitting parts and accessories is our top priority. Our standard zinc-plated 4130 carbon steel internals offer superior corrosion protection and resistance to sulfide or hydrogen induced cracking, providing reliability and performance over a long service life. These parts conform to NACE MR0175 / ISO 15156:2003 specifications.

For extreme corrosive applications, such as wet H₂S service, Canalta recommends 316 stainless steel internals to protect against mass loss due to general or localized corrosion.

Standard plate seals and fitting O-rings are made of HNBR rubber, offering first-class compression set, tearing and abrasion performance, as well as excellent chemical resistance in oilfield applications, including H₂S and CO₂.

Wherever possible, Canalta has endeavoured to ensure that our parts and accessories offerings are interchangeable with the current industry standard orifice fitting brand, making Canalta Orifice Fitting parts and accessories suitable for re-builds and re-works of our competitors' product lines.

All materials meet the applicable ASTM requirements and are traceable to the original foundry. Orifice plates and flow conditioners comply with AGA 3.2 specifications. Manufacturing at Canalta conforms to ASME codes B31.3-2004, B16.5-2003 and B16.34-2004.

Close attention to detail and tight quality control auditing ensure that your Canalta Orifice Fitting parts and accessories are reliable and ready for service in any application.

PARTS FOR ALL DUAL CHAMBER AND 8"+ SINGLE CHAMBER FITTINGS

4

Orifice Fitting Diagrams	8
Dual Chamber Orifice Fitting Repair Kits	16
Parts Variable by Model Size	18
Common Parts for All Model Sizes	24
Common Parts Specific to 16" - 26" Dual Chamber Orifice Fittings	28

PARTS FOR 2" - 6" SINGLE CHAMBER FITTINGS

30

Orifice Fitting Diagrams	32
Parts Variable by Model Size	33
Common Parts for All Model Sizes	34

ORIFICE PLATES & PLATE SEALS

36

Orifice Plate Seals	38
Orifice Plates	42

FLOW CONDITIONING SOLUTIONS

44

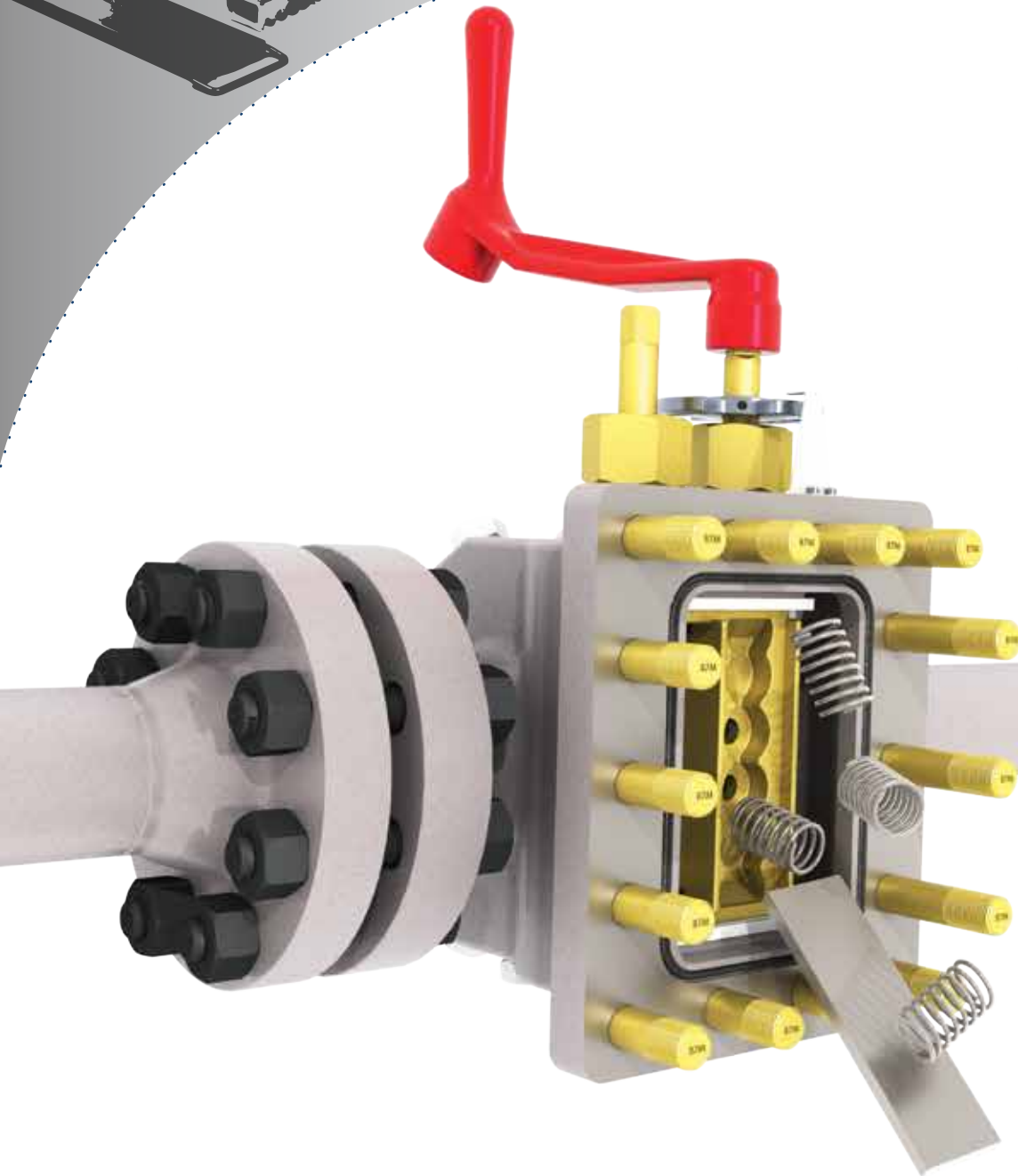
Contour™ Flow Conditioners	46
Contour™ FCH Flow Conditioner Housings	48
Contour™ Vane Flow Straighteners	50



***PARTS FOR ALL
DUAL CHAMBER &
8"+ SINGLE CHAMBER
ORIFICE FITTINGS***

CLIP-STYLE VALVE CARRIERS

**LOOK LIKE A
FAMILIAR
PROBLEM?**



The vast majority of orifice fittings in service in North America are in vertical flow or rotated installations, and anyone who has worked with these units knows the frustration of reassembly after maintenance. Valve components shift out of position, the valve strip is misaligned or the assembly falls out of the body completely.

That's why Canalta developed the **CLIP-STYLE VALVE CARRIER**, a unique package that holds the valve carrier, springs and valve strip together without affecting the critical performance of the slide valve as a whole. These units are already in service in Oklahoma and can improve your field operations as well.

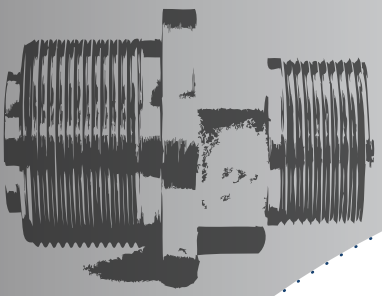
Say goodbye to misaligned or damaged valve strips. Say goodbye to using two pounds of grease to reassemble the orifice meter after maintenance. Available as a retrofit for all existing Canalta and Daniel® Senior® orifice fittings, and shipping as the standard valve carrier configuration in new Canalta DC, DBB and DC FCH units from March 2014, **Canalta's Clip-style Valve Carrier** makes reassembly both faster and easier than ever before.



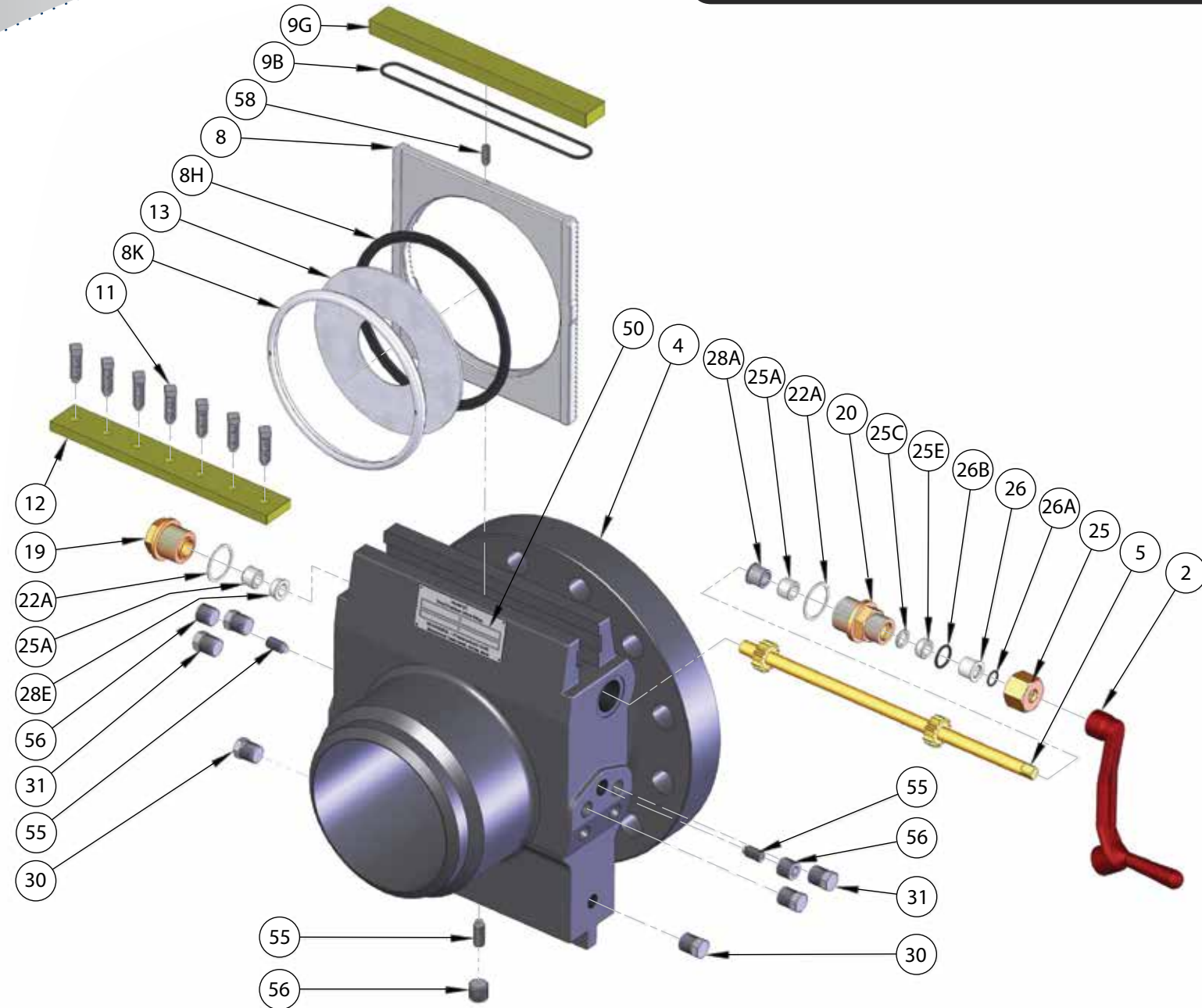
Patent Pending

**AVAILABLE TO
RETROFIT YOUR
EXISTING CANALTA
AND DANIEL®
ORIFICE METERS
USE SUFFIX DC90 TO GET FULL
REPLACEMENT ASSEMBLIES**

* Daniel® and Senior® are registered trademarks of Daniel Industries, Inc. Daniel Industries, Inc. is not affiliated with Canalta Flow Measurement in any manner. Daniel Industries has not reviewed, sanctioned or endorsed any products manufactured, reconditioned, sold or marketed by Canalta Flow Measurement.



8"+ SINGLE CHAMBER ORIFICE FITTINGS

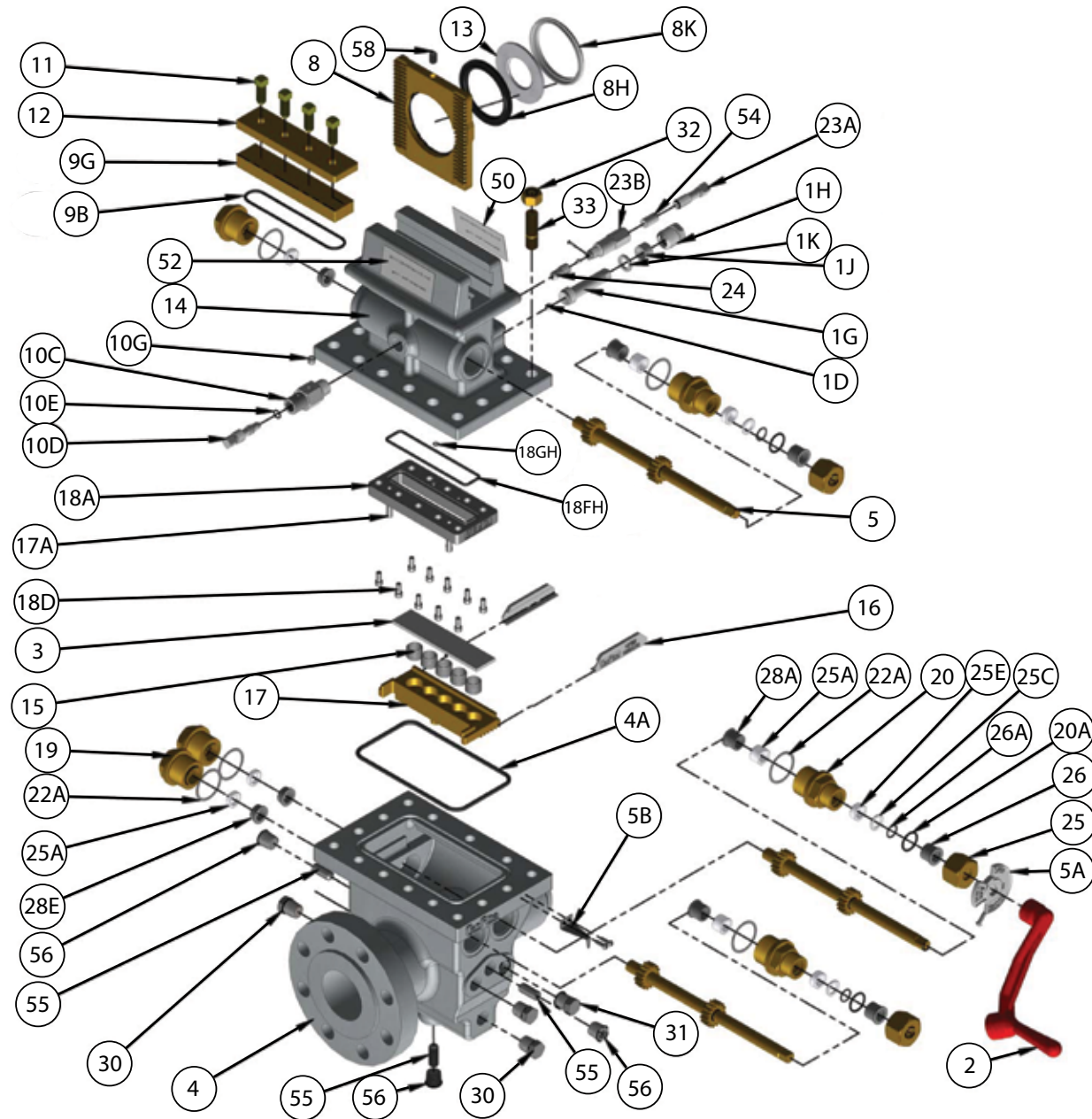


Item	Qty.	Description	Material
2	1	Operating Wrench	Coated Cast Iron
4	1	Flange Body	WCB / LCC / SS
5	1	Shaft and Pinions	4130 YZP CS / 316 SS
8	1	Plate Carrier	4130 YZP CS / 316 SS
8H	1	Seal Ring	HNBR
8K	1	"K" Style Retaining Ring	316 SS
9B	1	Seal Bar O-ring	HNBR
9G	1	Seal Bar	1018 YZP CS
11	A/R	Clamping Bar Screws	Case Hardened 4140 CS
12	1	Clamping Bar	1018 YZP CS
13	1	Orifice Plate	304 SS / 316 SS
19	1	Bearing Plug	4130 YZP CS
20	1	Stuffing Box	1020 YZP CS
22A	2	Stuffing Box Gasket	316 SS
25	1	Packing Nut	4130 YZP CS
25A-F	A/R	Packing Sleeves	Teflon
25S	1	Complete Packing Set	Teflon
26	1	Stuffing Box Gland	316 SS
26A	1	Stuffing Box Inner Gland Seal	HNBR
26B	1	Stuffing Box Outer Gland Seal	HNBR
28A-E	2	Bushing Retainer	316 SS
30	2	Drain Plug	A105 CS / 316L SS
31	4	Meter Tap Plug	A105 CS / 316L SS
50	1	Specification Plate	Color Etched 316 SS
55	3	Eccentricity Alignment Pins	18/8 SS
56	3	Eccentricity Alignment Pin Plugs	
58	1	Plate Carrier Alignment Screw	18/8 SS

8" - 26" Single Chamber Models

A/R = As Required per Model Size

2" - 14" DUAL CHAMBER ORIFICE FITTINGS



Item	Qty.	Description	Material
1	1	Equalizer Valve Assembly	4130 YZP CS / 316 SS
1G	1	Equalizer Valve Stem	4130 YZP CS / 316 SS
1H	1	Equalizer Valve Packing Nut	4130 YZP CS / 316 SS
1D	1	Equalizer Ball	316 SS
1K	1	Equalizer Packing Washer	4130 YZP CS / 316 SS
1J	1	Equalizer Packing	Teflon
2	1	Operating Wrench	Coated Cast Iron
3	1	Valve Strip	17.4PH - H1150 SS
4	1	Flangnek Body	WCB / LCC / SS
4A	1	Body O-ring	HNBR
5	3	Shaft & Pinion Gears	4130 YZP CS / CF8M SS
5A	1	Slide Valve Indicator Plate	Cast Aluminum
5B	1	Slide Valve Indicator Pointer	316 SS
8	1	Plate Carrier	4130 YZP CS / CF8M SS
8K	1	"K" Style Retaining Ring	316 SS
8H	1	Seal Ring	HNBR
9G	1	Seal Bar with O-ring Groove	1018 YZP
9B	1	Seal Bar O-ring	HNBR
10C	1	Bleeder Valve Body	4130 YZP CS / 316 SS
10D	1	Bleeder Valve Needle	4130 YZP CS / 316 SS

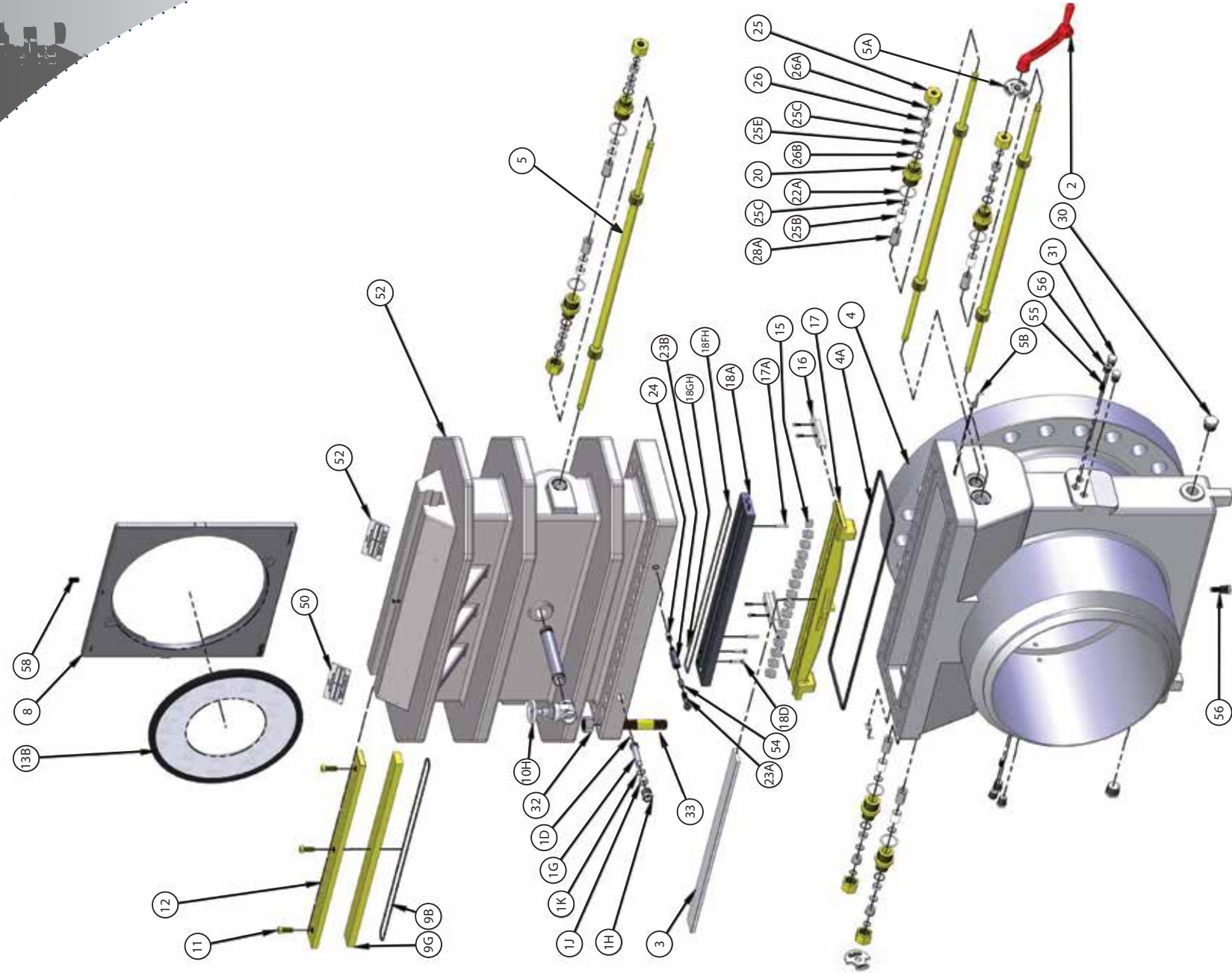
Item	Qty.	Description	Material
10E	1	Bleeder Valve O-ring	HNBR
10G	1	Bleeder Valve Set Screw	
11	A/R	Clamping Bar Screws	Case Hardened 4140 CS
12	1	Clamping Bar	1018 YZP CS
13	1	Orifice Plate	304 SS / 316 SS
14	1	Top Housing	WCB / LCC / SS
15	A/R	Valve Springs	316 SS
16	2	Valve Carrier Guides	CF8M SS
17	1	Valve Carrier	4130 YZP CS / CF8M SS
17A	2	Valve Carrier Stop Pins	316 SS
18A	1	Valve Seat (Grease type)	4130 CS / CF8M SS
18D	A/R	Valve Seat Screws	304 SS
18FH	1	Valve Seat Top O-ring	HNBR
18GH	1	Valve Seat Grease Port Seal	HNBR
19	3	Bearing Plug	4130 YZP CS
20	3	Stuffing Box	1020 YZP CS
20A	3	Stuffing Box Outer Gland Seals	HNBR
22A	6	Stuffing Box Gaskets	316 SS
23	1	Grease Gun Assembly	4130 YZP CS / 316 SS
23A	1	Grease Gun Stem	4130 YZP CS / 316 SS

Item	Qty.	Description	Material
23B	1	Grease Gun Body	4130 YZP CS / 316 SS
24	1	Double Ball Grease Check Valve	316 SS
25	3	Packing Nuts	4130 YZP CS
25A-F	A/R	Teflon Packing Sleeve	Teflon
25S	1	Complete Packing Set	Teflon
26	3	Stuffing Box Glands	316 SS
26A	3	Stuffing Box Inner Gland Seals	HNBR
28A	3	Bushing Retainer - Stuffing Box	316 SS
28E	3	Bushing Retainer - Bearing Plug	316 SS
30	2	Drain Plugs	A105 CS / 316L SS
31	2	Meter Tap Plugs (Qty = 6 with teletaps)	A105 CS / 316L SS
32	A/R	Body Hex Nuts	A194 YZP CS - 2HM
33	A/R	Body Studs	A193 YZP CS - B7M
50	1	Operating Plate	Color Etched 316 SS
52	1	Specification Plate	Color Etched 316 SS
54	A/R	Slide Valve Lubricant	Grease
55	3	Eccentricity Alignment Pins	18/8 SS
56	3	Eccentricity Alignment Plugs	
58	1	Plate Carrier Alignment Screw	18/8 SS

2" - 14" Grease Type Dual Chamber Models

A/R = As Required per Model Size

16" DUAL CHAMBER ORIFICE FITTINGS



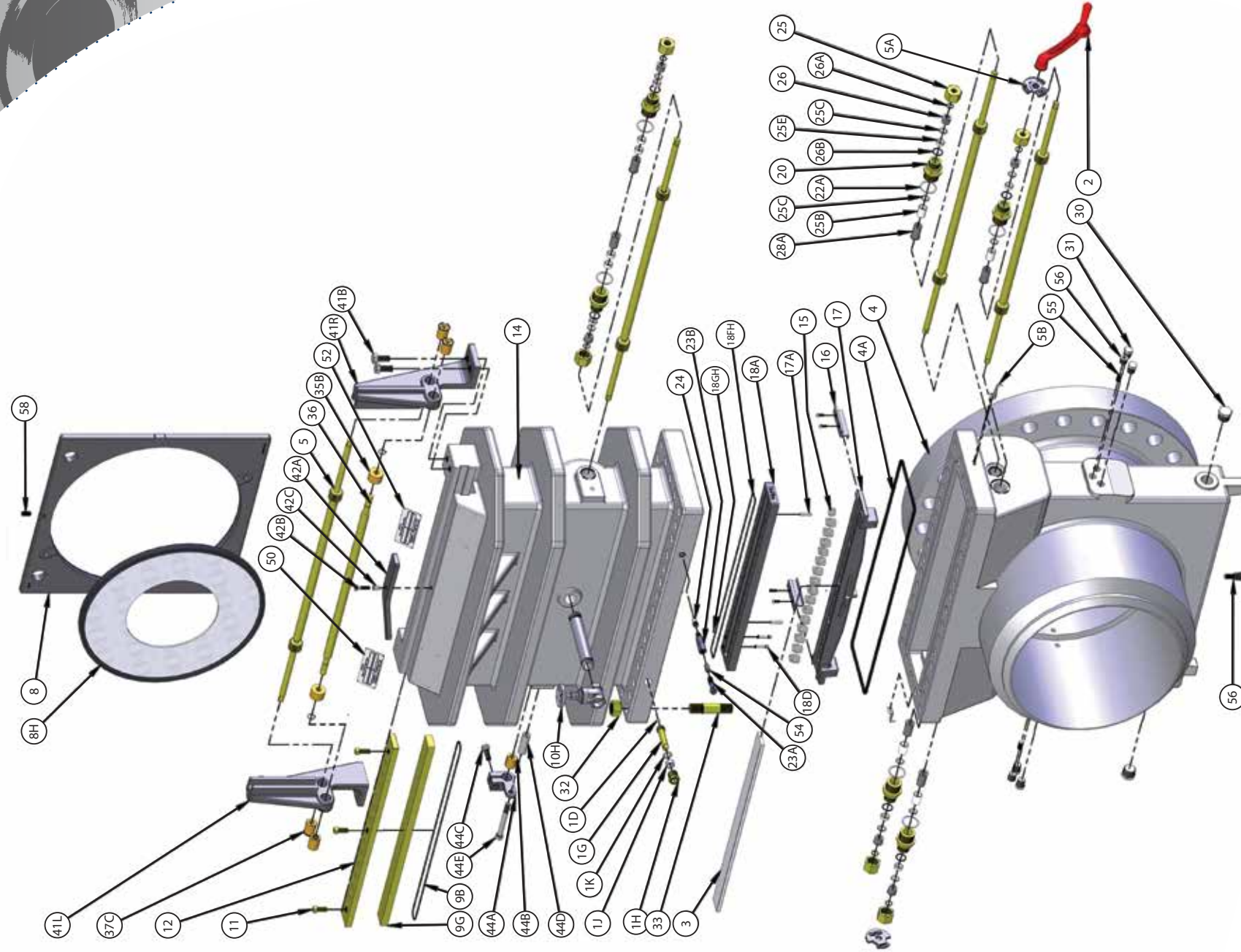
Item	Qty.	Description	Material
18D	A/R	Valve Seat Screws	304 SS
18FH	1	Valve Seat Top O-ring	HNBR
18GH	1	Valve Seat Grease Port Seal	HNBR
20	6	Stuffing Box	1020 YZP CS
22A	6	Stuffing Box Gaskets	316 SS
23	1	Grease Gun Assembly	4130 YZP CS / 316 SS
23A	1	Grease Gun Stem	4130 YZP CS / 316 SS
23B	1	Grease Gun Body	4130 YZP CS / 316 SS
24	1	Double Ball Grease Check Valve	316 SS
25	6	Packing Nuts	4130 YZP CS
25A-F	A/R	Teflon Packing Sleeve	Teflon
25S	1	Complete Packing Set	Teflon
26	6	Stuffing Box Glands	316 SS
26A	6	Stuffing Box Inner Gland Seals	HNBR
26B	6	Stuffing Box Outer Gland Seals	HNBR
28A	6	Bushing Retainer - Stuffing Box	316 SS
30	2	Drain Plugs	A105 CS / 316L SS
31	2	Meter Tap Plugs (Qty = 6 with teletaps)	A105 CS / 316L SS
32	A/R	Hex Nuts	A194 YZP CS - 2HM
33	A/R	Body Studs	A193 YZP CS - B7M
50	1	Specification Plate	Color Etched 316 SS
52	2	Operating Plates	Color Etched 316 SS
54	A/R	Slide Valve Lubricant	Grease
55	3	Eccentricity Alignment Pins	18/8 SS
56	3	Eccentricity Alignment Pin Plugs	
58	1	Plate Carrier Alignment Screw	18/8 SS

Item	Qty.	Description	Material
1	1	Equalizer Valve Assembly	4130 YZP CS / 316 SS
1G	1	Equalizer Valve Stem	4130 YZP CS / 316 SS
1H	1	Equalizer Valve Packing Nut	4130 YZP CS / 316 SS
1D	1	Equalizer Ball	316 SS
1K	1	Equalizer Packing Washer	4130 YZP CS / 316 SS
1J	1	Equalizer Packing	Teflon
2	2	Operating Wrench	Coated Cast Iron
3	1	Valve Strip	17.4PH - H1150 SS
4	1	Flange/nek Body	WCB / LCC / SS
4A	1	Body O-ring	HNBR
5	3	Shaft & Pinion Gears	4130 YZP CS / CF8M SS
5A	2	Slide Valve Indicator Plate	Cast Aluminum
5B	1	Slide Valve Indicator Pointer	316 SS
8	1	Plate Carrier	4130 YZP CS / CF8M SS
13B	1	Bonded "FLEX" Seal with Orifice Plate	HNBR
9G	1	Seal Bar with O-ring Groove	1018 YZP CS
9B	1	Seal Bar O-ring	HNBR
10H	1	Bleeder Valve	A105N CS
11	A/R	Clamping Bar Screws	Case Hardened 4140 CS
12	1	Clamping Bar	1018 YZP CS
14	1	Top Housing	WCB / LCC / SS
15	A/R	Valve Springs	316 SS
16	2	Valve Carrier Guides	CF8M SS
17	1	Valve Carrier	4130 YZP CS / CF8M SS
17A	2	Valve Carrier Stop Pins	316 SS
18A	1	Valve Seat (Grease type)	4130 CS / CF8M SS

16" Grease Type Dual Chamber Models

A/R = As Required per Model Size

18" - 30" DUAL CHAMBER ORIFICE FITTINGS



Item	Qty.	Description	Material
1	1	Equalizer Valve Assembly	4130 YZP CS / 316 SS
1G	1	Equalizer Valve Stem	4130 YZP CS / 316 SS
1H	1	Equalizer Valve Packing Nut	4130 YZP CS / 316 SS
1D	1	Equalizer Ball	316 SS
1K	1	Equalizer Packing Washer	4130 YZP CS / 316 SS
1J	1	Equalizer Packing	Teflon
2	2	Operating Wrench	Coated Cast Iron
3	1	Valve Strip	17.4PH - H1150 SS
4	1	Flange Body	WCB / LCC / SS
4A	1	Body O-ring	HNBR
5	4	Shaft & Pinions	4130 YZP CS / CF8M SS
5A	2	Slide Valve Indicator Plate	Cast Aluminum
5B	1	Slide Valve Indicator Pointer	316 SS
8	1	Plate Carrier	4130 YZP CS / CF8M SS
9G	1	Seal Bar with O-ring Groove	1018 YZP CS
9B	1	Seal Bar O-ring	HNBR
10H	1	Bleeder Valve	4130 YZP CS / 316 SS
11	A/R	Clamping Bar Screws	Case Hardened 4140 CS
12	1	Clamping Bar	1018 YZP CS
13B	1	Bonded "FLEXY" Seal with Orifice Plate	HNBR
14	1	Top Housing	WCB / LCC / SS
15	A/R	Valve Springs	316 SS
16	2	Valve Carrier Guides	CF8M SS
17	1	Valve Carrier	4130 YZP CS / CF8M SS
17A	2	Valve Carrier Stop Pins	316 SS
18A	1	Valve Seat (Grease Type)	4130 CS / CF8M SS
18D	A/R	Valve Seat Screws	304 SS
18FH	1	Valve Seat Top O-ring	HNBR
18GH	1	Valve Seat Grease Port Seal	HNBR
20	6	Stuffing Box	1020 YZP CS
22A	6	Stuffing Box Gaskets	316 SS
23	2	Grease Gun Assembly	4130 YZP CS / 316 SS
23A	2	Grease Gun Stem	4130 YZP CS / 316 SS

Item	Qty.	Description	Material
23B	2	Grease Gun Body	4130 YZP CS / 316 SS
24	2	Double Ball Grease Check Valve	316 SS
25	6	Packing Nuts	4130 YZP CS
25A-F	A/R	Teflon Packing Sleeve	Teflon
25S	1	Complete Packing Set	Teflon
26	6	Stuffing Box Glands	316 SS
26A	6	Stuffing Box Inner Gland Seals	HNBR
26B	6	Stuffing Box Outer Gland Seals	HNBR
28A	6	Bushing Retainer - Stuffing Box	316 SS
30	2	Drain Plugs	A 105 CS / 316L SS
31	2	Meter Tap Plugs (Qty = 6 with teletaps)	A 105 CS / 316L SS
32	A/R	Hex Nuts	A194 YZP CS - 2HM
33	A/R	Body Studs	A193 YZP CS - B7M
35B	2	External Shaft Roller	1018 CS
36	1	External Shaft	1018 CS
37C	4	Shaft Bushing	Brass
41	1	Plate Carrier Guide (left & right)	Cast Carbon Steel
41B	4	Plate Carrier Guide Bolts	YZP Steel
42A	1	Plate Carrier Stop	Carbon Steel
42B	1	Plate Carrier Stop Bolt	B7 Bolting
42C	1	Plate Carrier Stop Bushing	Brass
44A	1	Travel Brake Body	WCB Steel
44B	1	Brake Band	Brass
44C	1	Brake Adjustment Bolt	YZP Steel
44D	1	Brake Sleeve	Carbon Steel
44E	1	Hex Head Bolt	Steel
50	1	Specification Plate	Color Etched 316 SS
52	2	Operating Plates	Color Etched 316 SS
54	A/R	Slide Valve Lubricant	Grease
55	3	Eccentricity Alignment Pins	18/8 SS
56	3	Eccentricity Alignment Pin Plugs	18/8 SS
58	1	Plate Carrier Alignment Screw	18/8 SS

16" Grease Type Dual Chamber Models
A/R = As Required per Model Size

DUAL CHAMBER / 8"+ SINGLE CHAMBER ORIFICE FITTING PARTS

FULL REPAIR KITS

CANALTA ORIFICE FITTING REPAIR KITS

include a full complement of orifice fitting parts, allowing for a complete rebuild of the orifice fitting or replenishment of spare parts inventory. These kits are available with 4130 yellow zinc plated carbon steel internals for standard applications, or 316 stainless steel internals for extreme corrosive applications. All repair kits include high grade HNBR internal seals and are packaged in a sturdy resin case for easy storage or transport.

Repair kits for Daniel® Senior® Orifice Fittings are equally comprehensive, substituting Garlock gaskets for the standard Canalta body, valve seat and seal bar O-ring seals. These parts can also be supplied on an individual basis. Please contact us for full details on our servicing of Daniel product lines.*

Trust Canalta Flow Measurement for high quality, competitively priced OEM and interchangeable orifice fitting parts kits.

* Daniel® and Senior® are registered trademarks of Daniel Industries, Inc. Daniel Industries, Inc. is not affiliated with Canalta Flow Measurement in any manner. Daniel Industries has not reviewed, sanctioned or endorsed any products manufactured, reconditioned, sold or marketed by Canalta Flow Measurement.



Canalta Dual Chamber Orifice Fitting Repair Kit			
4130 YZP Carbon Steel Trim		316 Stainless Steel Trim	
Model Size	Part Number	Part Number	Notes
2	KIT-C-2DC	KIT-C-2DCSS	
3	KIT-C-3DC	KIT-C-3DCSS	
4	KIT-C-4DC	KIT-C-4DCSS	
6	KIT-C-6DC	KIT-C-6DCSS	
8	KIT-C-8DC	KIT-C-8DCSS	
10	KIT-C-10DC	KIT-C-10DCSS	
12	KIT-C-12DC	KIT-C-12DCSS	
14	KIT-C-14DC	KIT-C-14DCSS	
16	KIT-C-16DC	KIT-C-16DCSS	
20	KIT-C-20DC	KIT-C-20DCSS	
24	KIT-C-24DC	KIT-C-24DCSS	
26	KIT-C-26DC	KIT-C-26DCSS	

85 Edition - Add suffix "85" to part number.
2000 Edition - Add suffix "00" to part number.

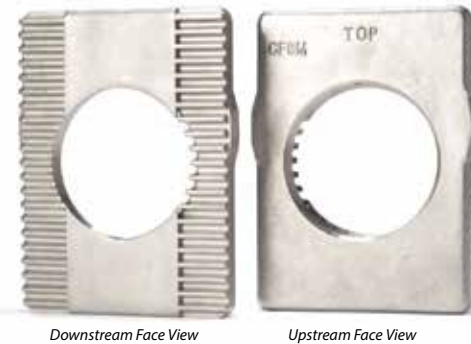
Daniel® Senior® Orifice Fitting Repair Kit			
4130 YZP Carbon Steel Trim		316 Stainless Steel Trim	
Model Size	Part Number	Part Number	Notes
2	KIT-D-2DC	KIT-D-2DCSS	
3	KIT-D-3DC	KIT-D-3DCSS	
4	KIT-D-4DC	KIT-D-4DCSS	
6	KIT-D-6DC	KIT-D-6DCSS	
8	KIT-D-8DC	KIT-D-8DCSS	
10	KIT-D-10DC	KIT-D-10DCSS	
12	KIT-D-12DC	KIT-D-12DCSS	
14	KIT-D-14DC	KIT-D-14DCSS	
16	KIT-D-16DC	KIT-D-16DCSS	
20	KIT-D-20DC	KIT-D-20DCSS	
24	KIT-D-24DC	KIT-D-24DCSS	
26	KIT-D-26DC	KIT-D-26DCSS	

YZP = Yellow Zinc Plated

DUAL CHAMBER / 8"+ SINGLE CHAMBER ORIFICE FITTING PARTS

VARIABLE BY MODEL SIZE

#8 Plate Carrier



Downstream Face View Upstream Face View

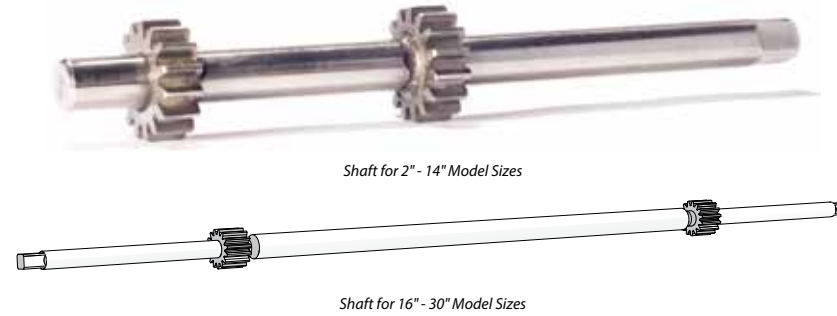
Available in 4130 YZP carbon Steel or CF8M cast stainless steel.

85 Edition - Add suffix "85" to part number. 92 Edition - Add suffix "92" to part number.

4130 YZP Carbon Steel			CF8M Stainless Steel	
Model Size	Part Number	Notes	Part Number	Notes
2	260DC08-92		260DC08-92-SS	
3	360DC08-92		360DC08-92-SS	
4	460DC08-92		460DC08-92-SS	
6	660DC08-92		660DC08-92-SS	
8 *	860DC08-00-625		860DC08-00-625-SS	
10 *	1060DC08		1060DC08-SS	
12 *	1260DC08		1260DC08-SS	
14 *	1460DC08		1460DC08-SS	
16 *	1660DC08		1660DC08-SS	
20 *	2060DC08		2060DC08-SS	
24 *	2460DC08		2460DC08-SS	
26 *	2660DC08		2660DC08-SS	

YZP = Yellow Zinc Plated

#5 Shaft & Pinion Gears



Available in 4130 YZP carbon steel or CF8M cast stainless steel. Shafts for model sizes 16" and larger are of the dual wrench design.

4130 YZP Carbon Steel			CF8M Stainless Steel	
Model Size	Part Number	Notes	Part Number	Notes
2	260DC05		260DC05-SS	
3	360DC05		360DC05-SS	
4	460DC05		460DC05-SS	
6	660DC05		660DC05-SS	
8 *	860DC05		860DC05-SS	
10 *	1060DC05		1060DC05-SS	
12 *	1260DC05		1260DC05-SS	
14 *	1460DC05		1460DC05-SS	
16 *	1660DC05		1660DC05-SS	
20 *	2060DC05		2060DC05-SS	
24 *	2460DC05		2460DC05-SS	
26 *	2660DC05		2660DC05-SS	

Note: To request dual wrench pinion gears for model sizes 14" and under, use part number suffix DC05C.

★ Indicates parts also applicable to 8" and larger model sizes of the Single Chamber Orifice Fitting.

#17 Valve Carrier



Available in 4130 YZP carbon steel or CF8M cast stainless steel.

4130 YZP Carbon Steel			CF8M Stainless Steel	
Model Size	Part Number	Notes	Part Number	Notes
2	260DC17		260DC17-SS	
3	360DC17		360DC17-SS	
4	460DC17		460DC17-SS	
6	660DC17		660DC17-SS	
8	860DC17		860DC17-SS	
10	1060DC17		1060DC17-SS	
12	1260DC17		1260DC17-SS	
14	1460DC17		1460DC17-SS	
16	1660DC17		1660DC17-SS	
20	2060DC17		2060DC17-SS	
24	2460DC17		2460DC17-SS	
26	2660DC17		2660DC17-SS	

Note: For clip-style valve carriers, use part number suffix DC17B.

YZP = Yellow Zinc Plated

#3 Valve Strip



17.4PH - H1150 Stainless Steel

Model Size	Part Number	Notes
2	260DC03	
3	360DC03	
4	460DC03	
6	660DC03	
8	860DC03	
10	1060DC03	
12	1260DC03	
14	1460DC03	
16	1660DC03	
20	2060DC03	
24	2460DC03	
26	2660DC03	

Note: For clip-style valve carriers, use part number suffix DC03A.

DUAL CHAMBER / 8"+ SINGLE CHAMBER ORIFICE FITTING PARTS

VARIABLE BY MODEL SIZE

#9G Seal Bar



Available for 150 - 900 or 1500 ANSI ratings in 1018 YZP carbon steel. Requires one seal bar O-ring (#9B).

150 - 900 ANSI			1500 ANSI	
Model Size	Part Number	Notes	Part Number	Notes
2	260DC09G		2150DC09G	
3	360DC09G		3150DC09G	
4	460DC09G		4150DC09G	
6	660DC09G		6150DC09G	
8 *	860DC09G		8150DC09G	
10 *	1060DC09G		10150DC09G	
12 *	1260DC09G		12150DC09G	
14 *	1460DC09G		14150DC09G	
16 *	1660DC09G		16150DC09G	
20 *	2060DC09G		20150DC09G	
24 *	2460DC09G		24150DC09G	
26 *	2660DC09G		26150DC09G	

YZP = Yellow Zinc Plated

#9B Seal Bar O-ring



HNBR Rubber.

150 - 900 ANSI			1500 ANSI	
Model Size	Part Number	Notes	Part Number	Notes
2	O238-80H		O345-80H	
3	O247-80H		O427-80H	
4	O250-80H		O436-80H	
6	O261-80H		O437-80H	
8 *	O265-80H		O445-80H	
10 *	O269-80H		O374-80H	
12 *	O275-80H		O275-80H	
14 *	O277-80H		O277-80H	
16 *	O280-80H		O456-80H	
20 *	O283-80H		O283-80H	
24 *	O388-80H		O388-80H	
26 *	O391-80H		Please Call	

★ Indicates parts also applicable to 8" and larger model sizes of the Single Chamber Orifice Fitting.

18B Valve Seat - Soft Seat Style



Available in 4130 carbon steel or CF8M cast stainless steel. This unit incorporates a specially machined seal channel to help prevent O-ring dislocation. Requires two valve seat O-rings (#18FH). Suitable for 150-1500 ANSI ratings.

4130 Carbon Steel			CF8M Stainless Steel	
Model Size	Part Number	Notes	Part Number	Notes
2	260DC18B		260DC18B-SS	
3	360DC18B		360DC18B-SS	
4	460DC18B		460DC18B-SS	
6	660DC18B		660DC18B-SS	
8	860DC18B		860DC18B-SS	
10	1060DC18B		1060DC18B-SS	
12	1260DC18B		1260DC18B-SS	
14	1460DC18B		1460DC18B-SS	
16	1660DC18B		1660DC18B-SS	
20	2060DC18B		2060DC18B-SS	
24	2460DC18B		2460DC18B-SS	
26	2660DC18B		2660DC18B-SS	

Note: 4" 1500 ANSI models require a specially-sized valve seat. Please use part numbers 4150DC18B or 4150DC18B-SS for these models.

18A Valve Seat - Grease Style



Available in 4130 carbon steel or CF8M cast stainless steel. This unit incorporates a machined grease port for slide valve lubrication. Requires one valve seat O-ring (#18FH), one valve seat grease seal (#18GH) and slide valve lubricant (#54). Suitable for 150-1500 ANSI ratings.

4130 Carbon Steel			CF8M Stainless Steel	
Model Size	Part Number	Notes	Part Number	Notes
2	260DC18A		260DC18A-SS	
3	360DC18A		360DC18A-SS	
4	460DC18A		460DC18A-SS	
6	660DC18A		660DC18A-SS	
8	860DC18A		860DC18A-SS	
10	1060DC18A		1060DC18A-SS	
12	1260DC18A		1260DC18A-SS	
14	1460DC18A		1460DC18A-SS	
16	1660DC18A		1660DC18A-SS	
20	2060DC18A		2060DC18A-SS	
24	2460DC18A		2460DC18A-SS	
26	2660DC18A		2660DC18A-SS	

Note: 4" 1500 ANSI models require a specially-sized valve seat. Please use part numbers 4150DC18A or 4150DC18A-SS for these models.

DUAL CHAMBER / 8"+ SINGLE CHAMBER ORIFICE FITTING PARTS

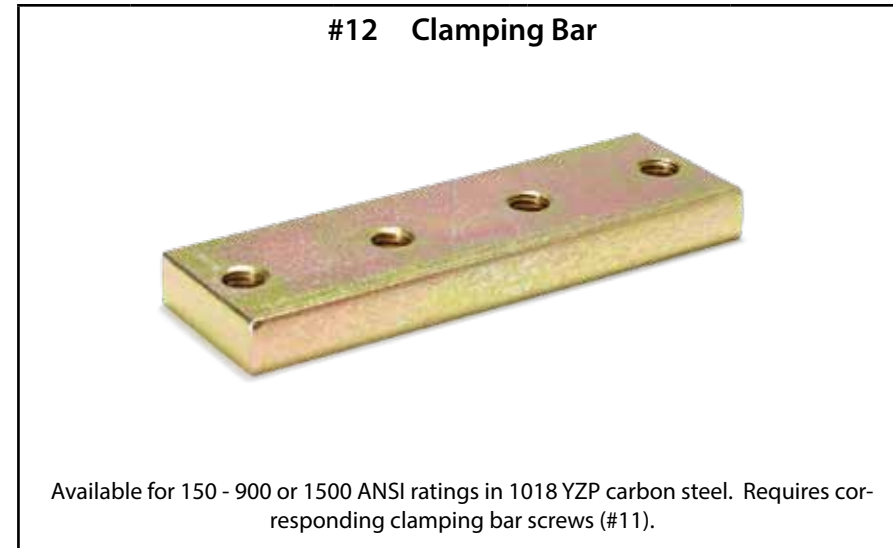
VARIABLE BY MODEL SIZE



#18FH Valve Seat O-ring

HNBR Rubber		
Model Size	Part Number	Notes
2	O236-80H	
3	O243-80H	
4	O248-80H	
6	O258-80H	
8	O263-80H	
10	O268-80H	
12	O273-80H	
14	O277-80H	
16	O279-80H	
20	O282-80H	
24	O387-80H	
26	O390-80H	

Note: These part numbers also apply for item 18EH, "Valve Seat Bottom O-ring" for soft seat orifice fitting models.



#12 Clamping Bar

Available for 150 - 900 or 1500 ANSI ratings in 1018 YZP carbon steel. Requires corresponding clamping bar screws (#11).

150 - 900 ANSI			1500 ANSI	
Model Size	Part Number	Notes	Part Number	Notes
2	260DC12		2150DC12	
3	360DC12		3150DC12	
4	460DC12		4150DC12	
6	660DC12		6150DC12	
8 *	860DC12		8150DC12	
10 *	1060DC12		10150DC12	
12 *	1260DC12		12150DC12	
14 *	1460DC12		14150DC12	
16 *	1660DC12		16150DC12	
20 *	2060DC12		20150DC12	
24 *	2460DC12		24150DC12	
26 *	2660DC12		26150DC12	

YZP = Yellow Zinc Plated

★ Indicates parts also applicable to 8" and larger model sizes of the Single Chamber Orifice Fitting.



#4A Body O-ring

HNBR Rubber		
Model Size	Part Number	Notes
2	O257-80H	
3	O365-80H	
4	O367-80H	
6	O373-80H	
8	O378-80H	
10	O380-80H	
12	O456-80H	
14	O460-80H	
16	O465-80H	
20	O471-80H	
24	O473-80H	
26	O475-80H	













#33 Body Studs

A193 YZP CS - B7M alloy bolting.

Short Studs			Long Studs	
Model Size	Part Number (QTY)	Notes	Part Number (QTY)	Notes
2	DC33S58-214 (11)		DC33S58-318 (3)	
3	DC33S58-214 (14)		DC33S58-318 (1)	
4	DC33S34-212 (14)		DC33S34-312 (1)	
6	DC33S34-318 (15)		DC33S34-312(3)	
8	DC33S34-312 (19)		N/A	
10	DC33S34-312 (17)		N/A	
12	DC33S34-334 (22)		N/A	
14	DC33S34-334 (24)		N/A	
16	DC33S1-418(28)		N/A	
20	DC33S1-458 (37)		N/A	
24	DC33S1-458 (37)		N/A	
26	Please Call		N/A	












DUAL CHAMBER / 8"+ SINGLE CHAMBER ORIFICE FITTING PARTS

COMMON TO ALL MODEL SIZES

Item	Part Number	Material	Description	Notes
1	C60DC01	4130 YZP CS	Equalizer Valve Assembly 	
1	C60DC01SS	316 SS	Equalizer Valve Assembly 	
2 ★	C60DC02	Coated Cast Iron	Operating Wrench 	
10	C60DC10	4130 YZP CS	Bleeder Valve 	
10	C60DC10SS	316 SS	Bleeder Valve 	
11 ★	C60DC11	Case Hardened 4140 CS	Clamping Bar Screw (150-900 ANSI) 	
11 ★	C150DC11	Case Hardened 4140 CS	Clamping Bar Screw (1500 ANSI) 	
15	C60DC15	316 SS	Valve Spring 	
16	C60DC16	CF8M SS	Valve Carrier Guide 	
17A	C60DC17A	316 SS	Valve Carrier Stop Pin 	











YZP CS = Yellow Zinc Plated Carbon Steel

★ Indicates parts also applicable to 8" and larger model sizes of the Single Chamber Orifice Fitting.

Item	Part Number	Material	Description	Notes
18D	C60DC18	304 SS	Valve Seat Screw 	
18GH	O008-80H	HNBR	Valve Seat Grease Port Seal 	
19 ★	C60DC19	4130 YZP CS	Bearing Plug 	<i>Note: stainless steel version available by special order. Please contact us for details.</i>
19 ★	1260DC19	1020 YZP CS	Extended Bearing Plug 	<i>Note: this part is used only on size 12" models of the DC and SC orifice fitting.</i>
20 ★	C60DC20	1020 YZP CS	Stuffing Box 	<i>Note: stainless steel version available by special order. Please contact us for details.</i>
22A ★	C60DC22A	316 SS	Stuffing Box Gasket 	
23	C60DC23	4130 YZP CS	Grease Gun Assembly 	
23	C60DC23SS	316 SS	Grease Gun Assembly 	
24	C60DC24	316 SS	Grease Check Valve 	
25 ★	C60DC25	4130 YZP CS	Packing Nut 	<i>Note: stainless steel version available by special order. Please contact us for details.</i>
25S ★	C60DC25S2	Teflon	Teflon Packing Set 	




DUAL CHAMBER / 8"+ SINGLE CHAMBER ORIFICE FITTING PARTS

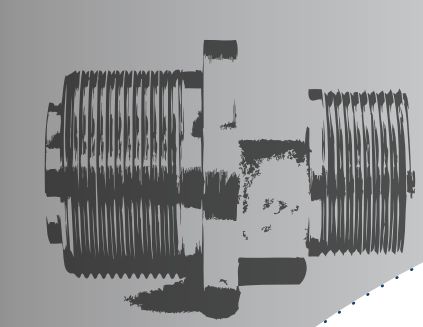
COMMON TO ALL MODEL SIZES

Item	Part Number	Material	Description	Notes
26 ★	C60DC26SS	316 SS	Stuffing Box Gland 	
26A ★	O016-80H	HNBR	Inner Gland Seal 	
26B ★	O118-80H	HNBR	Outer Gland Seal 	
28E★	C60DC28ESS	316 SS	3/8" Bushing Retainer 	
28A ★	C60DC28ASS	316 SS	3/4" Bushing Retainer 	
28B ★	C60DC28BSS	316 SS	1 3/4" Bushing Retainer 	
30	CONS064	A105 CS	Drain Plug - 3/4" NPT 	
31	PP1/2CS	A105 CS	Meter Tap & Drain Plug - 1/2" NPT 	
32	DC32S58	A194 YZP CS - 2HM	5/8" Body Nut 	
32	DC32S34	A194 YZP CS - 2HM	3/4" Body Nut 	

YZP CS = Yellow Zinc Plated Carbon Steel

★ Indicates parts also applicable to 8" and larger model sizes of the Single Chamber Orifice Fitting.

Item	Part Number	Material	Description	Notes
32	DC32S1	A194 YZP CS - 2HM	1" Body Nut 	
50	C60DC50	Color Etched 316 SS	Specification Plate 	
52	C60DC52	Color Etched 316 SS	Operating Plate 	
53	C60DC53	10 Gauge Stainless Steel	Soft Seat Warning Plate 	
54	C60DC54-340B	Grease	Slide Valve Lubricant 	
55 ★	C60DC55	18-8 SS	Eccentricity Alignment Pins 	
56 ★	C60DC40A	A105 CS	Eccentricity Alignment Plugs 	
58	CONS056	18-8 SS	Plate Carrier Alignment Screw (DC) 	
58 ★	CONS189B	18-8 SS	Plate Carrier Alignment Screw (SC) 	
5A	C60DC05A	Cast Aluminum	Slide Valve Indicator Plate 	
5B	C60DC05B	316 SS	Slide Valve Indicator Pointer 	














DUAL CHAMBER / 8"+ SINGLE CHAMBER ORIFICE FITTING PARTS

COMMON PARTS SPECIFIC TO 16" - 30" DUAL CHAMBER MODELS

Item	Part Number	Material	Description	Notes
16	CL60DC16	1018 CS	Valve Carrier Guides (with screws) 	
44A	C60DC44A	WCB Steel	Travel Brake Body 	
44B	C60DC44B	Brass	Travel Brake Band (20" & 24") 	
44B	2660DC44B	Brass	Travel Brake Band (26") 	
44C	C60DC44C	YZP Steel	Travel Brake Adjustment Bolt 	
44D	C60DC44D	Carbon Steel	Travel Brake Sleeve 	
44E	C60DC44E	Steel	Travel Brake Hex Head Bolt 	
41L(R)	2060DC41-L(R)	Cast Carbon Steel	Plate Carrier Guide - Left (Right) (20") 	
41L(R)	2460DC41-L(R)	Cast Carbon Steel	Plate Carrier Guide - Left (Right) (24") 	
41L(R)	2660DC41-L(R)	Cast Carbon Steel	Plate Carrier Guide - Left (Right) (26") 	
41B	C60DC41B	YZP Steel	Plate Carrier Guide Bolt 	
42A	C60DC42A	Carbon Steel	Plate Carrier Stop 	

YZP = Yellow Zinc Plated

Item	Part Number	Material	Description	Notes
42C	C60DC42C	Brass	Plate Carrier Stop Bushing 	
42B	C60DC42B	B7 Bolting	Plate Carrier Stop Bolt 	
36	2060DC36	1018 CS	20" External Shaft 	
36	2460DC36	1018 CS	24" External Shaft 	
36	2660DC36	1018 CS	26" External Shaft 	
36	3060DC36	1018 CS	30" External Shaft 	
35B	C60DC35B	1018 CS	External Shaft Roller (20" & 24") 	
35B	2660DC35B	1018 CS	External Shaft Roller (26") 	
37C	C60DC37C	Brass	External Shaft Bushing (20" & 24") 	
37C	2660DC37C	Brass	External Shaft Bushing (26") 	
10H	CL60DC10	A105N CS	Gate Valve (with pipe nipple) 	



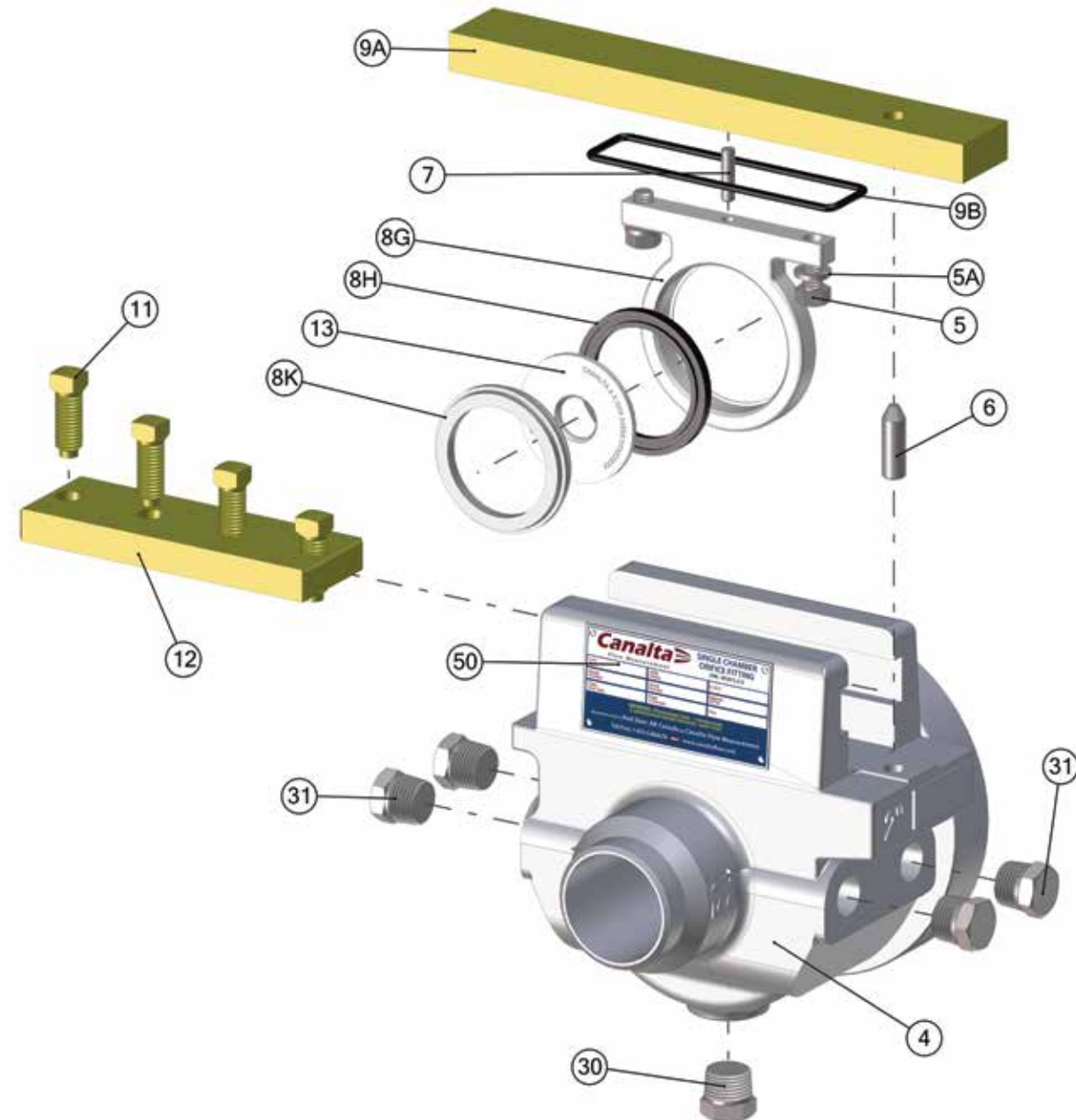
***PARTS FOR
2" - 6" SINGLE CHAMBER
ORIFICE FITTINGS***

SC 2-6 ORIFICE FITTING PARTS

VARIABLE BY MODEL SIZE

Item	Qty.	Description	Material
4	1	Flangenek Body	WCB / LCC / SS
5	2	Plate Carrier Bolt	316 SS
5A	2	Lock Washer	316 SS
6	1	Seal Bar Alignment Pin	
7	1	Plate Carrier Alignment Pin	
8G	1	Plate Carrier	4130 YZP CS / CF8M SS
8H	1	Seal Ring	HNBR
8K	1	"K" Style Retaining Ring	316 SS
9A	1	Seal Bar	1018 YZP CS
9B	1	Seal Bar O-ring	HNBR
11	A/R	Clamping Bar Screw	Case Hardened 4140 CS
12	1	Clamping Bar	4140 YZP CS
13	1	Orifice Plate	304 SS / 316 SS
30	1	Drain Plug	A105 CS / 316L SS
31	4	Meter Tap Plug	A105 CS / 316L SS
50	1	Specification Plate	Color Etched 316 SS

2" - 6" Single Chamber Models
A/R = As Required per Model Size



Available in 4130 carbon steel or CF8M cast stainless steel.
85 Edition - Add suffix "85" to part number. 92 Edition - Add suffix "92" to part number.

4130 YZP Carbon Steel			CF8M Stainless Steel	
Size (Inches)	Part Number	Notes	Part Number	Notes
2	260SC08		260SC08-SS	
3	360SC08		360SC08-SS	
4	460SC08		460SC08-SS	
6	660SC08		660SC08-SS	

YZP = Yellow Zinc Plated



Available for 150 - 900 or 1500 ANSI ratings in 1018 YZP carbon steel. Requires one seal bar O-ring (#9B).

150 - 900 ANSI			1500 ANSI	
Size (Inches)	Part Number	Notes	Part Number	Notes
2	260SC09A		2150SC09A	
3	360SC09A		3150SC09A	
4	460SC09A		4150SC09A	
6	660SC09A		6150SC09A	

SC 2-6 ORIFICE FITTING PARTS

COMMON TO ALL MODEL SIZES

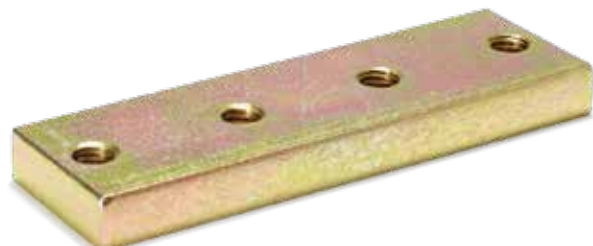
#9B Seal Bar O-ring



HNBR Rubber


Size (Inches)	Part Number	Notes
2	O241-80H	
3	O245-80H	
4	O250-80H	
6	O259-80H	

#12 Clamping Bar



Available for 150 - 900 or 1500 ANSI ratings in 1018 YZP carbon steel. Requires corresponding clamping bar screws (#11).

150 - 900 ANSI			1500 ANSI	
Size (Inches)	Part Number	Notes	Part Number	Notes
2	260SC12		2150SC12	
3	360SC12		3150SC12	
4	460SC12		4150SC12	
6	660SC12		6150SC12	

Item	Part Number	Material	Description	Notes
5	C60SC05	316 SS	Plate Carrier Bolt 	
5A	C60SC05A	316 SS	Plate Carrier Lock Washer 	
6	C60SC51		Seal Bar Alignment Pin 	
7	C60SC07		Plate Carrier Alignment Pin 	
11	C60DC11	Case Hardened 4140 CS	Clamping Bar Screw (150-900 ANSI) 	
11	C150DC11	Case Hardened 4140 CS	Clamping Bar Screw (1500 ANSI) 	
30	CONS064	A105 CS	Drain Plug - 3/4" NPT 	
31	PP1/2CS	A105 CS	Meter Tap & Drain Plug - 1/2" NPT 	
50	C60SC50	Color Etched 316 SS	Specification Plate 	

ORIFICE PLATES & PLATE SEALS



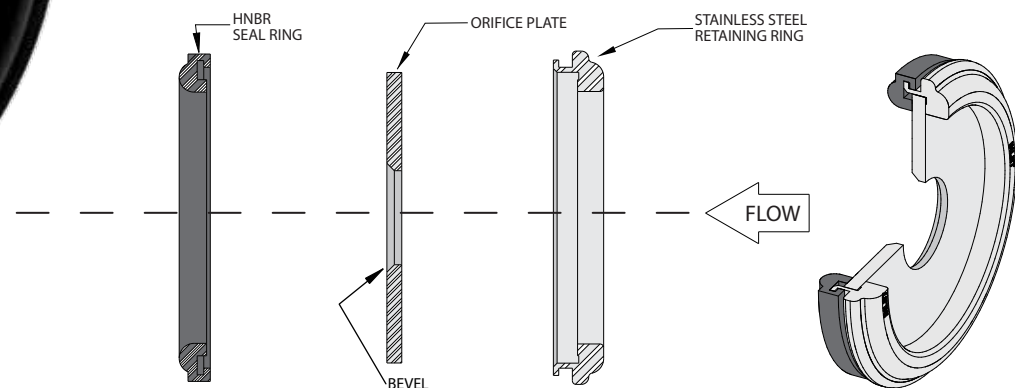
ORIFICE PLATES & PLATE SEALS

The **Type "K" Standard 2000 Edition Seal Assembly** is the standard seal supplied with all Canalta Orifice Fitting model sizes 2" through 8". The assembly is comprised of a HNBR elastomer seal and stainless steel retaining ring. The single downstream seal function offers superior sealing capability while reducing seal damage during insertion. This design cuts in half the seal's compressible material, resulting in less seal swell common in most applications. The durability of the stainless steel retaining ring leads to replacement costs of approximately 1/3 that of other plate seals. Exacting and repeatable concentricity is maintained with the metal to metal contact throughout the entire 360° circumference of the orifice plate to the plate carrier mechanism.

This unit is used with a .562" seal gap for fittings sized 2" through 6", and with a .688" seal gap for 8" fittings, meeting the 1992 and 2000 editions of AGA-3. Plate seal bypass tested down to 1" water column.



HNBR Elastomer Seal Ring			316 Stainless Steel "K" Style Retainer Ring	
Model Size	Part Number	Notes	Part Number	Notes
2	2DC08H-00-HNBR-80D		2DC08K	
3	3DC08H-00-HNBR-80D		3DC08K	
4	4DC08H-00-HNBR-80D		4DC08K	
6	6DC08H-00-HNBR-80D		6DC08K	
8	8DC08H-00-HNBR-80D		8DC08K	

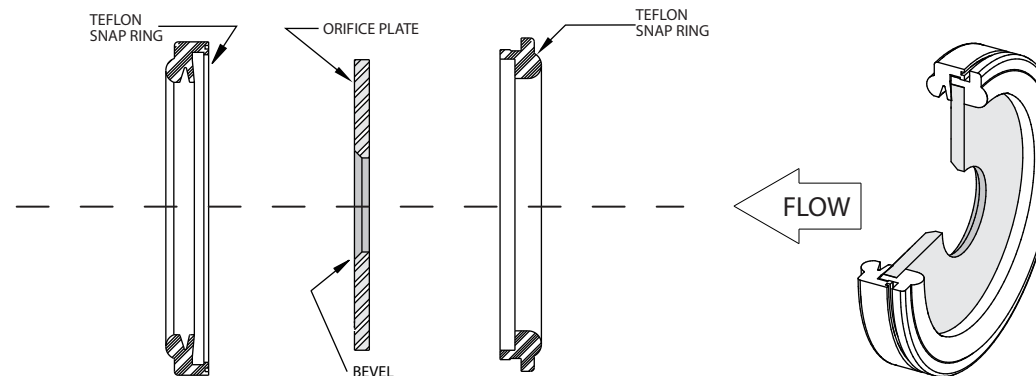


The **Teflon Snap Seal** provides positive plate sealing in the harshest of process environments. The two-piece design snaps over the orifice plate without the use of metal clips or retainers. A specially designed recess absorbs insertion pressures, minimizing permanent compression and distortion.

The raised section adjacent to the recess creates a positive seal against the orifice plate, preventing bypass leakage. These two unique design features enhance seal performance while extending the life expectancy of the seal assembly.

Teflon Snap Seal Set		
Model Size	Part Number	Notes
2	2DC08IJ-00	
3	3DC08IJ-00	
4	4DC08IJ-00	
6	6DC08IJ-00	
8	8DC08IJ-00	
10	10DC08IJ-00	
12	12DC08IJ-00	
14	14DC08IJ-00	
16	16DC08IJ-00	
20	20DC08IJ-00	
24	24DC08IJ-00	
26	26DC08IJ-00	

Teflon Snap Seals are available for 2000 Edition seal gaps. 85 Edition snap and clip-style Teflon seals are also available for some sizes. Please contact our offices for more information.



ORIFICE PLATES & PLATE SEALS

The **Bonded "FLEX" Seal** is the standard seal supplied with all Canalta Orifice Fitting model sizes 10" and larger. Designed with a unique "hollow core" recess, this seal has impressive expansion and contraction capabilities when compared to traditional solid rubber seals. The recess allows the seal to absorb insertion pressures, minimizing tearing, distortion and permanent compression. This design will also accommodate expansion and distortion in the seal gap when under pressure - a problem common to many large-sized fittings.

The 80 duro HNBR seal is adhesively bonded to the orifice plate, creating total and permanent contact between the plate and seal and preventing bypass leakage. These units are typically supplied as seal and orifice plate packages and are available for model sizes 10" and larger.

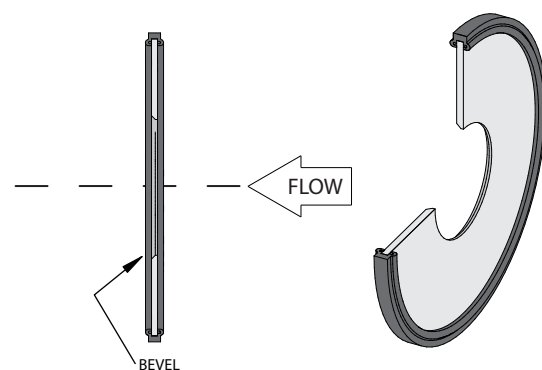
For ordering information, please contact us, or visit us on the web at www.canaltaflow.com

Legacy Replacement Seals

Canalta supplies a selection of legacy plate seals for situations in which direct and exact seal replacement is required or preferred. Models include two piece clip-style Teflon, solid core HNBR or Nitrile and the stainless steel dual ring assembly.

We will also work with you to custom design and manufacture purpose-built seals for your unique or special applications.

Size and pipe schedule availability varies by model. Please contact us for more information.



Clip-style Teflon

Solid Core HNBR

Stainless Steel Dual Ring



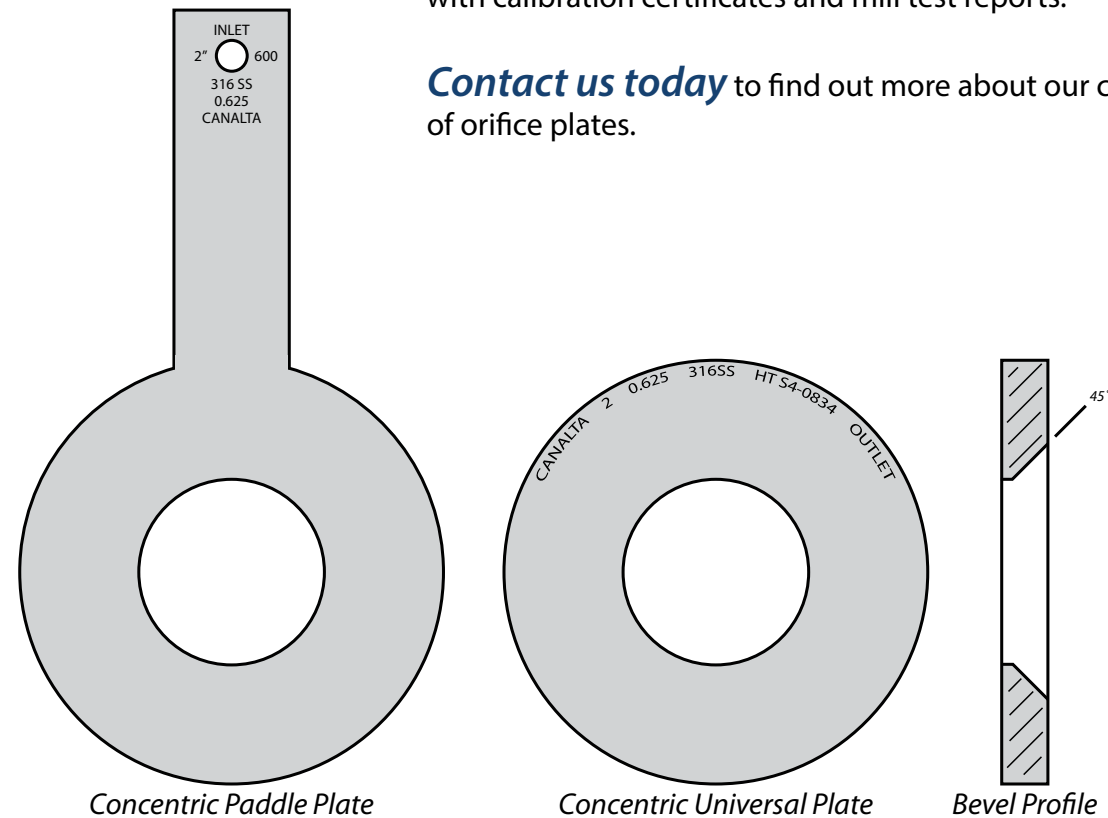
ORIFICE PLATES & PLATE SEALS

Canalta has been a trusted supplier of AGA-3 / API 14.3 and ISO 5167-1 **Compliant Orifice Plates** for years. We stock a wide selection of standard concentric universal orifice plates for gas and liquid flow measurement in both 304 and 316 stainless steel. These units are perfect for any Single or Dual Chamber Orifice Fitting.

Paddle plates for use with Orifice Flange Unions and orifice plates for special applications are available. Canalta also supplies orifice plates in exotic materials, such as Monel™, Inconel™ and Hastelloy™.

When accuracy and certainty count, Canalta can provide comprehensive Orifice Plate Inspection Reports complete with calibration certificates and mill test reports.

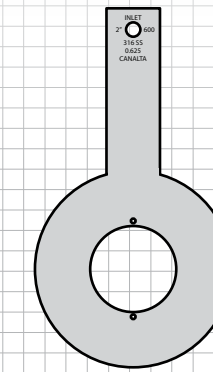
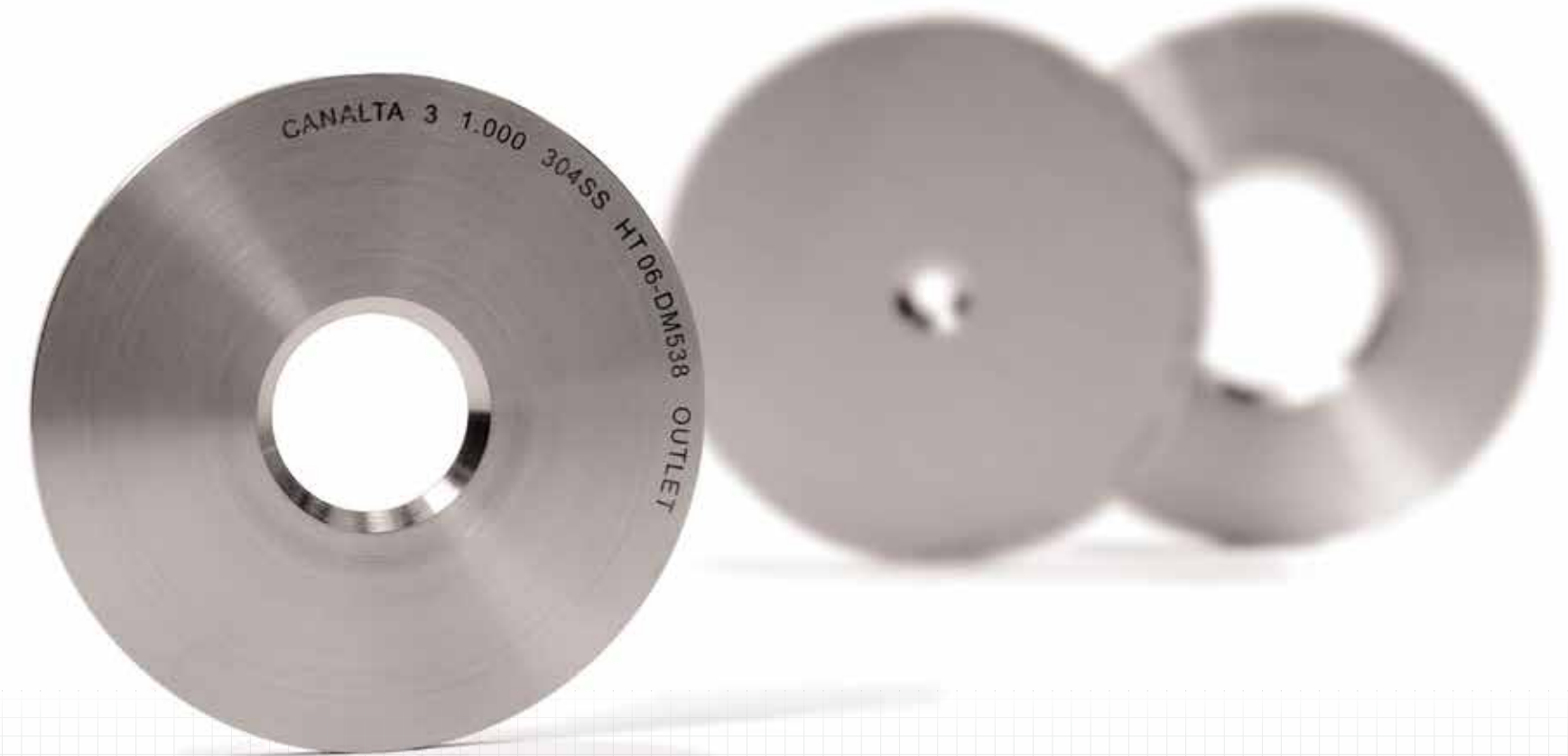
Contact us today to find out more about our competitive pricing and quick delivery times on all types of orifice plates.



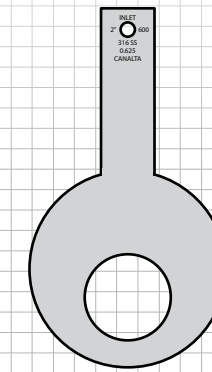
Concentric Paddle Plate

Concentric Universal Plate

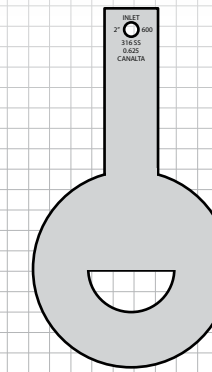
Bevel Profile



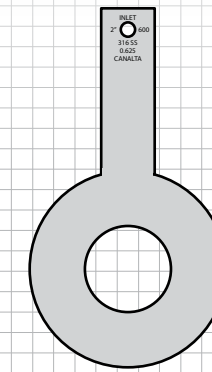
Vented Orifice Plate



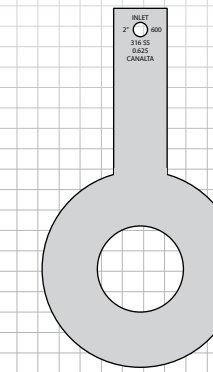
Eccentric Orifice Plate



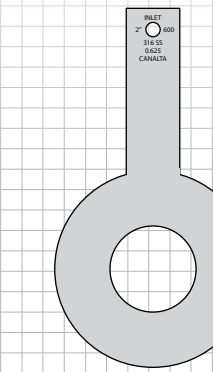
Segmental Orifice Plate



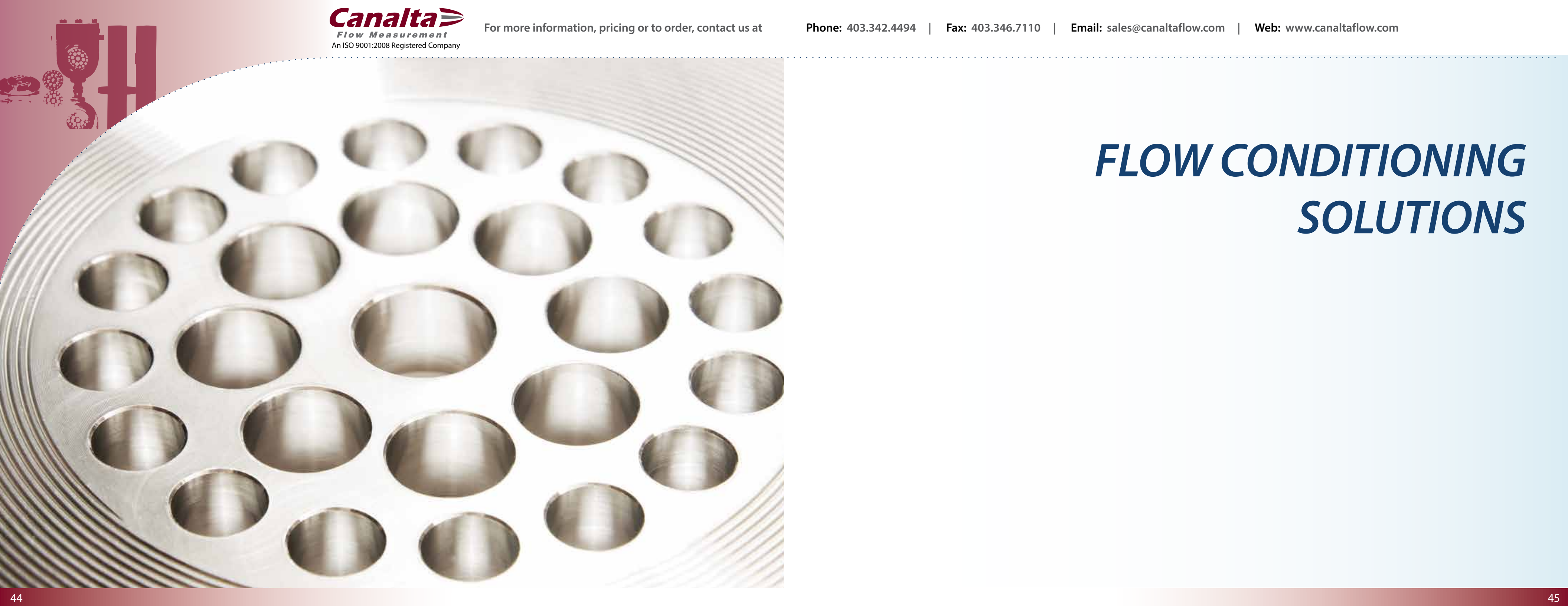
Counter-bored Orifice Plate



Quadrant-bored Orifice Plate



Concentric Restriction Plate



FLOW CONDITIONING SOLUTIONS

FLOW CONDITIONING SOLUTIONS

Contour™

Flow Conditioning Solutions
by **Canalta**

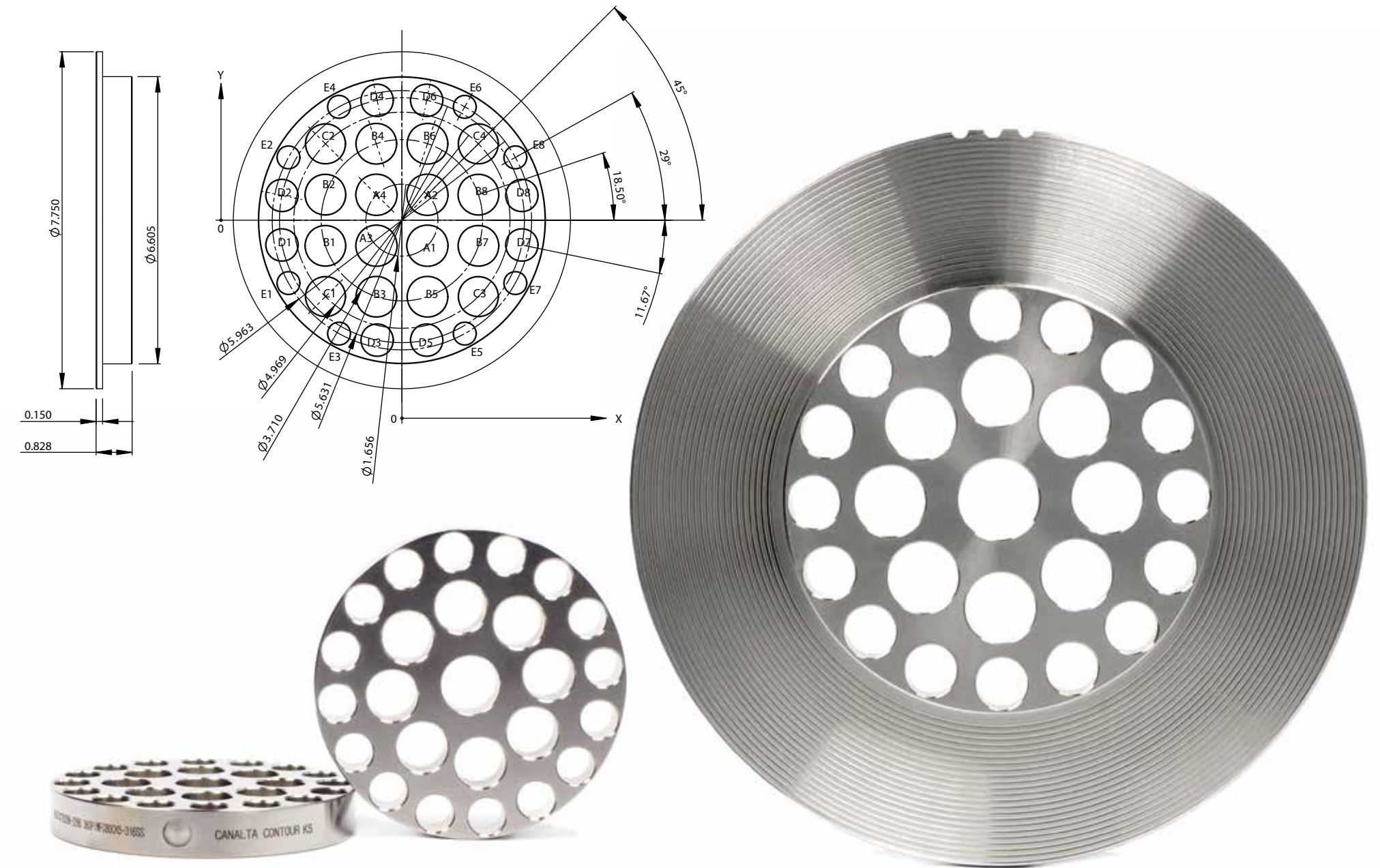
Contour™ K5 and Z Flow Conditioners maximize orifice meter accuracy while significantly reducing upstream pipe length requirements. This common design fully develops the flow profile and helps to eliminate flow disturbances without creating a significant pressure drop. Accurate flow metering is possible in a host of line configurations, including multiple elbows in or out of plane, tee intersections and partially closed or nominally opened valves. Installation, maintenance and initial capital cost are easy and economical, and the resilient one-piece design ensures a long service life. Standard 316 stainless steel makes these flow conditioners suitable for all applications, including extremely corrosive environments.

Contour™ K5 Flow Conditioners are designed and manufactured to the exact geometries of the popular K-Lab / Nova design (CPA 50E®) which has achieved broad acceptance within the flow measurement industry. **Contour™ Z Flow Conditioners** include the 32-hole Zanker plate geometry.

Contour™ K5 and Z Flange-style Flow Conditioners are installed between two raised face or RTJ flanges upstream of the orifice plate. Available for pipe sizes 2" through 30" in all standard schedules, with custom schedules by special order.

Contour™ K5 and K Pin-style Flow Conditioners are line mounted with a set pin in the wall of the upstream pipe. Available for pipe sizes 2" through 4" in all standard schedules, with custom schedules by special order.

Contact one of our sales representatives today for full details, technical specifications and ordering information.



* CPA 50E is a registered trademark of Canada Pipeline Accessories Co. Ltd. Daniel Industries, Inc. (Zanker) and Canada Pipeline Accessories are not affiliated with Canalta Flow Measurement in any manner, nor have they reviewed, sanctioned or endorsed any products manufactured, reconditioned, sold or marketed by Canalta Flow Measurement.



FLOW CONDITIONING SOLUTIONS

Contour™

Flow Conditioning Solutions
by **Canalta**

The **Contour™ FCH Flow Conditioner Housing** brings the ease, safety and practicality of inspecting and changing an orifice plate to the flow conditioner. This long overdue concept allows for regular inspections of the flow conditioner without breaking apart the flow line. The Contour™ FCH allows the operator to easily perform flow conditioner inspection and maintenance on the same regular schedule as the orifice plate. With this innovative, newly patented design, you can be sure that your flow profile has not been degraded by damage, blockage or residue accumulation.

All bore surfaces and internal dimensions within the housing are manufactured to strictly comply with the latest editions of AGA-3 and ISO-5167. The Contour™ FCH is effective for both ultrasonic and differential pressure custody transfer applications, where flow profile and measurement accuracy are critical.

The body connects to the line upstream of the flow conditioning plate through an **integral body flange**. This design virtually eliminates flow disturbances caused by RF and RTJ flange breaks, making your flow profile that much more reliable. Approved for 150 - 900 ANSI ratings, these integral body flanges also reduce costs by eliminating material and fabrication procedures.



Single Chamber Contour™ FCH
(US Patent 7, 806, 145)

Canalta's Contour FCH utilizes the new Contour™ K5+ and Z+ flow conditioners. These isolating flow conditioners incorporate a non-protruding HNBR seal around the downstream face to prevent bypass leakage and protect the integrity of your flow profile.



Dual Chamber Contour™ FCH (cutaway view)
(US Patent 7, 806, 145)

Key Features:

- Effective in all flow measurement applications where flow profile is critical for accuracy.
- Maintains flow conditioner alignment and positioning despite replacement or debris impact.
- Prevents bypass leakage.
- Allows for easy flow conditioner inspection, removal and replacement.
- Effective in both retrofits and new projects.
- Available in sizes 2" - 12" NPS.
- Can be fitted for standard or extreme corrosive service.
- Available in both single and dual chamber designs.

FLOW CONDITIONING SOLUTIONS

Contour™

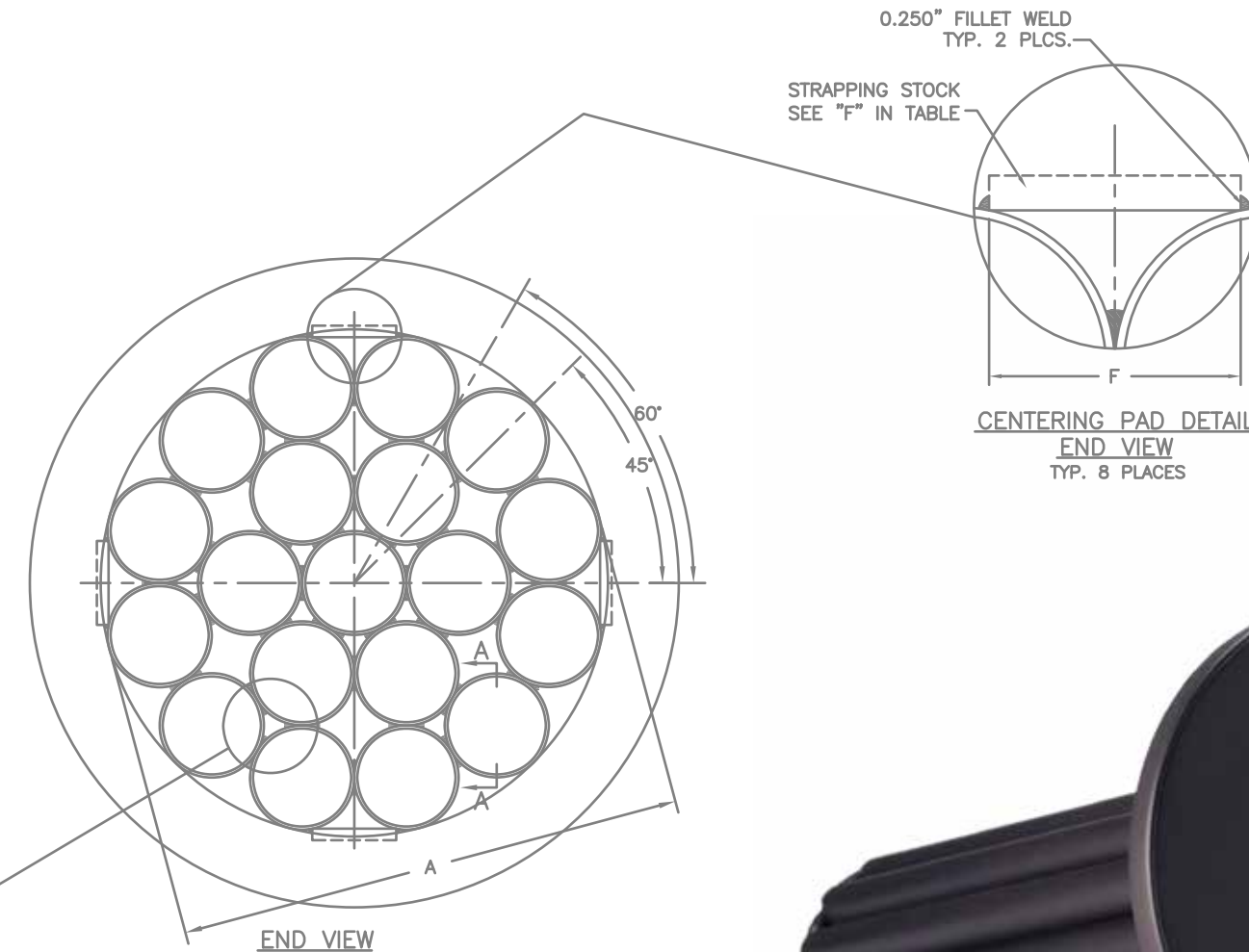
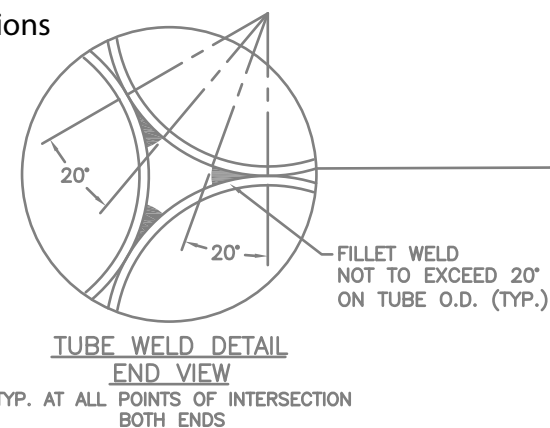
Flow Conditioning Solutions
by **Canalta**

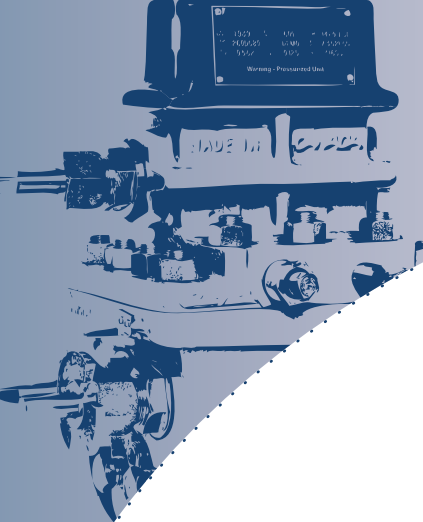
Contour™ Vane Flow Straighteners are available in the traditional 1998 uniform concentric 19-tube bundle configuration. Sized and assembled to AGA 3 / API 14.3 and ISO 5167-1 specifications, these straightening vanes are effective in aiding the removal of flow swirl and turbulence caused by upstream piping arrangements. Available in 316 stainless steel as standard, the Contour™ Vane Flow Straightener is suitable for most process environments.

Flange-style straightening vanes are installed between two raised face or RTJ flanges upstream of the orifice plate. Available for pipe sizes 2" through 30" in all standard schedules, with custom schedules by special order.

Pin-style straightening vanes are line mounted with a 3/8" x 3/4" (16 UNC) set pin in the wall of the upstream pipe. Available for pipe sizes 2" through 30" in all standard schedules, with custom schedules by special order.

Contact one of our sales representatives today for full details, technical specifications and ordering information.





NOTES

Canalta

Flow Measurement

A Canalta Controls Company

Canalta Flow Measurement's parts offerings support these high quality product lines:

- Dual Chamber Orifice Fittings
- Single Chamber Orifice Fittings
- Flow Conditioner Housings
- Meter runs
- Orifice Flange Unions

Contact us today to find out more.



Corporate Head Office / Canada	(+1) 403 342 4494
United States	(+1) 940 898 0800
Argentina	(+54) 9 11 3272 2377
United Kingdom	(+44) 0 1284 715089
India	(+91) 4254 265050

Find a list of our global distribution partners at www.canaltaflow.com/global

The "Canalta Flow Measurement", "Canalta Controls" and "Contour" names and logos are trademarks of Canalta Controls Ltd. All other trademarks are the property of their respective companies. All information presented here is for information purposes only. Though every effort has been made to ensure their accuracy, the contents of this publication shall not be construed as warranties or guarantees, expressed or implied, regarding the products or services described herein, or their use or applicability. Due to Canalta's commitment to quality and innovation, all product designs, specifications and information material, including the contents of this publication, are subject to change without notice. Responsibility for the proper selection, maintenance and use of any product remains with the customer. SAFETY FIRST.

Copyright, trademark and other forms of proprietary rights protect the contents of this publication.

© 2011 - 2015 Canalta Controls Ltd. All rights reserved. Unauthorized reproduction in whole or in part is prohibited.

01 / 2015
