

ANNOUNCING THE FIRST DIFFERENTIAL PRESSURE RECORDER FROM PALMER WAHL!

Palmer

NEW! From Palmer Wahl - our first Differential Pressure Recorder - Model 524

Brought to you from a company with 183 years of experience - longer than any other instrumentation company in the United States!

Our new Differential Pressure Recorders incorporate an edge welded rupture proof pressure cell for up to 30% added lifespan and greatly improved linearity.

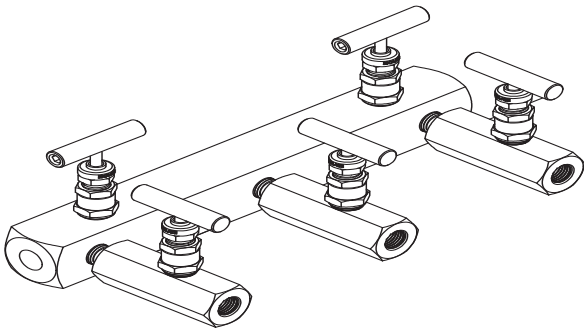
Differential pressure cell features over-range protection and pulsation dampening to compensate for variations in line pressure, as well as a temperature compensator to protect the unit from drift caused by ambient temperature changes.

The fully mechanical differential pressure cell with dual bellows design requires no power, and is made of 316L SS. Designed primarily for use in the oil and gas industry, differential pressure recorders are also ideal for monitoring flow, filtration, and liquid levels.

The 12" heavy die cast aluminum case is double protected by a corrosion resistant coating and an additional powder coated finish, making it weather resistant even in harsh conditions.

Pipestand mounted, the 524 Differential Pressure Recorder is now available in ranges from 20 to 400 Inches of Water. Up to two additional pens for measuring pressures up to 30,000 PSI or temperatures up to 600°F; mercury free temperature systems are available with up to 10 feet of capillary.

Also available is our optional 5 Valve Manifold (shown below), sold as a kit with connection hardware to connect the DP Recorder to your system.



No more concerns about the availability of Differential Pressure Recorders! Palmer Wahl is the source you can depend on. Along with our 3 year warranty - you can rest assured in your investment!

We go "Beyond the Scale" to provide you with the precision products needed for any application. We are committed to meet and exceed the requirements of our customers by offering expert industry knowledge, innovative engineered designs, and superior temperature and pressure measurement solutions.

Specifications subject to change without notice.

1 Palmer Wahl Instruments, Inc. • Toll Free: 800-421-2853 • Phone: 828-658-3131 • www.palmerwahl.com



The Palmer Differential Pressure Recorder is available in **Pipestand Mount** (standard).

Call us today for a quote on our NEW Differential Pressure Recorders!



Palmer / Wahl
BEYOND THE SCALE

DIFFERENTIAL PRESSURE RECORDER SPECIFICATIONS

Model 524	Systems	Choose from 1, 2 or 3 Pens: DP only, or DP with Pressure and/or Temperature
	Chart Size / Arc Line	12" / 9-7/16"
	Chart Drive	Multi-speed BOCD (UL Approved) or Spring Wound - Specify Speed
	Chart No.	Specify
DP Actuator	Range Availability	0 to 20" H ₂ O; 0 to 100" H ₂ O; 0 to 200" H ₂ O; 0 to 300" H ₂ O; 0 to 400" H ₂ O
	Accuracy	± 0.5% of Full Scale
	Temperature Limit	-40°F to 180°F (-40°C to 82°C)
	Recording Mechanism	All Stainless Steel parts for longer field life
	Maximum Non-Linearity	± 0.5%
	Repeatability	± 0.20%
	Pressure Element	Dual Bellows: 316L SST
	Bellows Fill	Mineral Oil - (M)
	Safe Working Pressure	2,500 PSI (172bar) Maximum
	DP Housing/Center plate	Forged Steel AISI C1018
	Housing Seals	Fiber Gasket
	Torque Tube Material	Beryllium Copper, Hermetically sealed to eliminate friction and leakage
	Torque Tube Rotation	8 Degrees ± 10%
	Range Springs	Inconel
	Bolts	AISI 4140, per ASTM A 320 L7M, Grade 8
Cleaning	General	
Optional Pressure Elements	Ranges	25 to 30,000 PSI; 6 to 600 bar
	Accuracy	± 1/2 chart graduation
	Pressure Element	316SS helical wound bourdon coil with SS fittings and tubing.
Optional Temperature Elements	Non-Mercury Ranges	From: 60° to 600°F / 60° to 300°C
	Capillary	316SS Flex Armored Capillary, 1/4" dia, 10 ft incl. Non-Mercury. Custom lengths available.
	Accuracy	± 1 chart graduation
	Element	300 Series stainless steel bulb, interconnection capillary, and armor (depending on design)
Housing	Case Size / Description	12" case with Instrument Glass Window Standard, Pipestand only
	Case Material	Die Cast Aluminum Case with Draw Pull Latch/Hasp and Corrosion Resistant Internals
	Dimensions	H: 15-13/16" x W: 13-1/16" x D: 13" (includes DP Cell) (401.66 mm x 331.8 mm x 330.2 mm)
	Weight	55 lbs. (24.94 kg)
Options and Accessories	Options	Door with Safety Glass Window, Door with Plexiglass Window, or Solid Front Door
		Double Cam Latch Bar/Padlock Type Handle option for Solid Door
		Door Stop, Steel, Hinge-style, 10 inch Support Hinge
		Clip-down Chart Hub, includes hex key
	Accessories	5 Valve Manifold Kit, includes Connection Hardware
Certification	Optional NIST Traceable Certificate of Conformance. Optional User Specified Points	