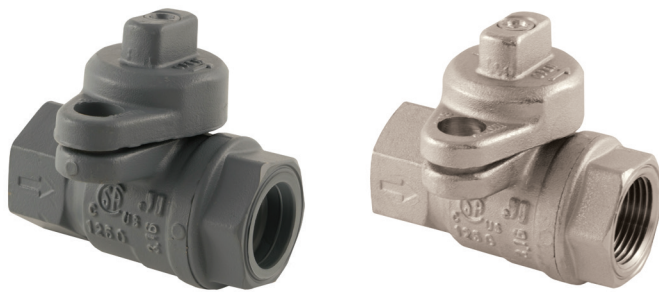
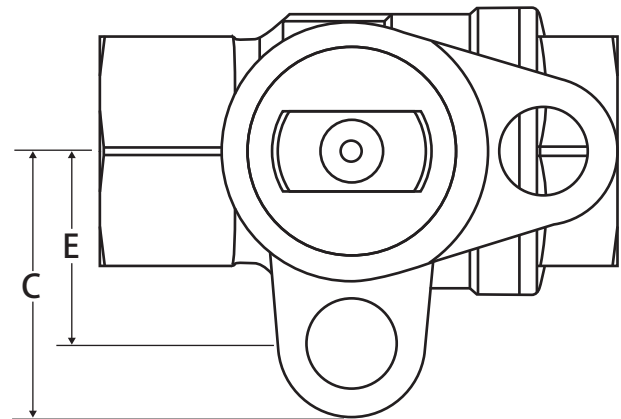
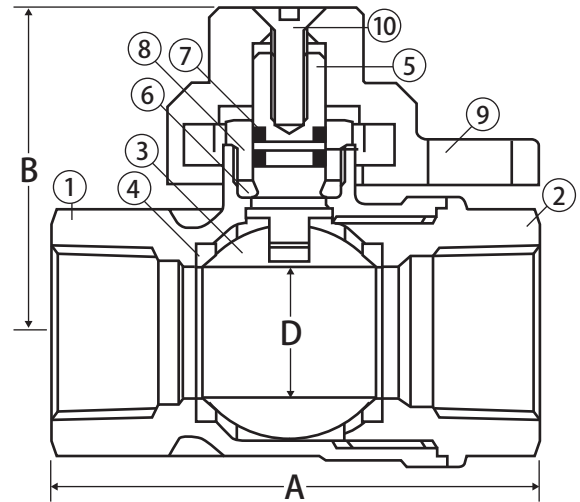


Lockwing

Utility Gas Ball Valve • Full Port • 175 PSIG



175-LWN



Features


- Tamper resistant lockwing cap
- 2 Viton® o-rings
- Full port design to accommodate industry leading stop changers
- Lockwing accommodates standard barrel locks
- Maintenance free design
- 100% leak tested
- 100% Made in Italy
- Leakproof stem - Lifetime Warranty

Approvals

- CSA Certified
 - CGA 3.16 (125G)
 - ANSI B16.33 (125G)
- Meets or exceeds applicable part of DOT 192
- MSS SP-110

Pressure Rating

- 175 PSIG
- Temp range: -40°F to 300°F

 **WARNING:** This product can expose you to chemicals including lead, which is known to the State of California to cause cancer, and lead, which is known to the State of California to cause birth defects or other reproductive harm. For more information go to www.P65Warnings.ca.gov.



Material Specifications

No.	Part	Materials
1	Body*	Brass - CW617N
2	End Connection*	Brass - CW617N
3	Ball	Chrome Plated Brass - CW617N
4	Seat (2)	Hostaflo® TFM 1600
5	Stem	Brass - CW614N
6	Packing	Buna-N
7	Stem O-ring (2)	Viton®
8	Packing Gland	Brass - CW614N
9	Lockwing Cap*	Brass - CW617N
10	Screw	304 Stainless Steel

*Component may be T.E.A. coated or AGA painted depending upon selection

Dimensions

Part No.	Size	A	B	C	D	E
240-003_*	1/2"	2.74	1.87	1.50	0.59	1.08
240-004_	3/4"	2.91	1.87	1.50	0.79	1.08
240-005_	1"	3.40	2.24	1.73	0.97	1.30
240-006_	1-1/4"	3.82	2.46	1.93	1.23	1.50
240-007_	1-1/2"	4.21	3.03	2.20	1.49	1.73
240-008_	2"	5.00	3.33	2.52	1.99	2.05

_ = Specify coating: B = Brass, P = Painted, T = T.E.A. Coated

*Note: Only brass and painted available for 1/2"

Lockwing

Utility Gas Ball Valve • Full Port • 125 PSIG



Brass

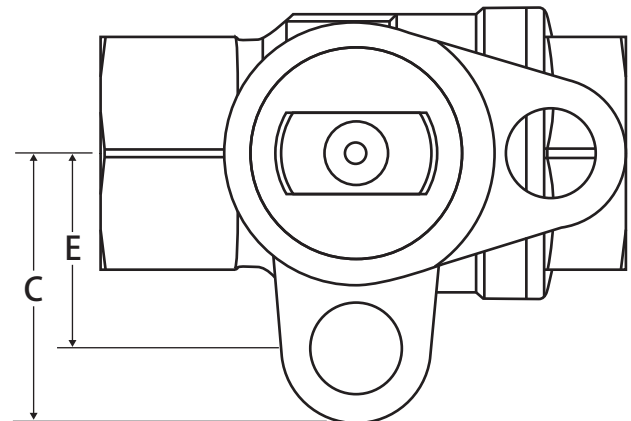
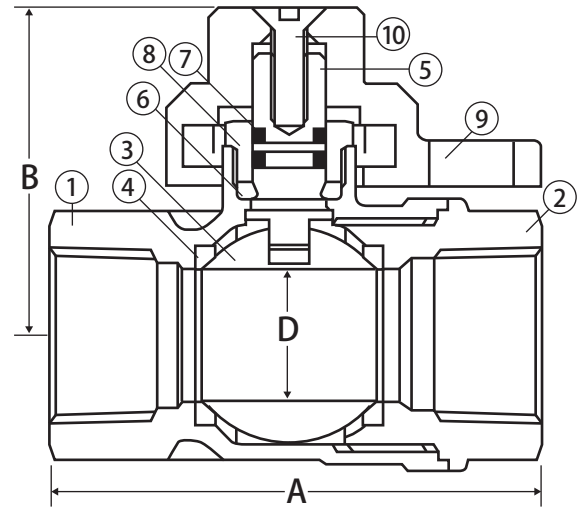


Painted



MIP x FIP

125-LWN



Features

- Tamper resistant lockwing cap
- 2 Viton® o-rings
- Full port design to accommodate industry leading stop changers
- Lockwing accommodates standard barrel locks
- Maintenance free design
- 100% leak tested
- 100% Made in Italy
- Leakproof stem - Lifetime Warranty

Approvals

- CSA Certified
 - CGA 3.16 (125G)
 - ANSI B16.33 (125G)
- Meets or exceeds applicable part of DOT 192
- MSS SP-110

Pressure Rating

- 125 PSIG
- Temp range: -40°F to 300°F

WARNING: This product can expose you to chemicals including lead, which is known to the State of California to cause cancer, and lead, which is known to the State of California to cause birth defects or other reproductive harm. For more information go to www.P65Warnings.ca.gov.

Material Specifications

No.	Part	Materials
1	Body*	Brass - CW617N
2	End Connection*	Brass - CW617N
3	Ball	Chrome Plated Brass - CW617N
4	Seat (2)	Hostaflo® TFM 1600
5	Stem	Brass - CW614N
6	Packing	Buna-N
7	Stem O-ring (2)	Viton®
8	Packing Gland	Brass - CW614N
9	Lockwing Cap*	Brass - CW617N
10	Screw	304 Stainless Steel

*Component may be AGA painted depending upon selection

Dimensions

Part No.	Size	A	B	C	D	E
FIP x FIP						
242-005_	1"	3.31	2.10	1.24	1.00	1.30
_ = Specify coating: B = Brass, P = Painted						
MIP x FIP						
246-005B	1"	3.73	2.24	1.73	0.97	1.30



Lockwing

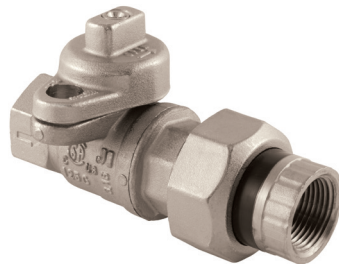
Utility Gas Ball Valve • Full Port • 175 PSIG with Insulated Tail Piece



Brass

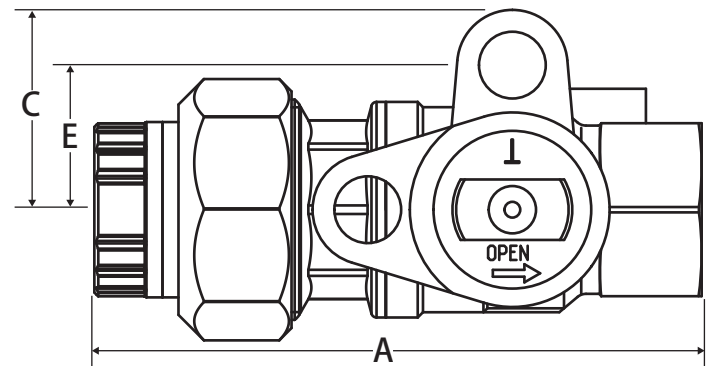
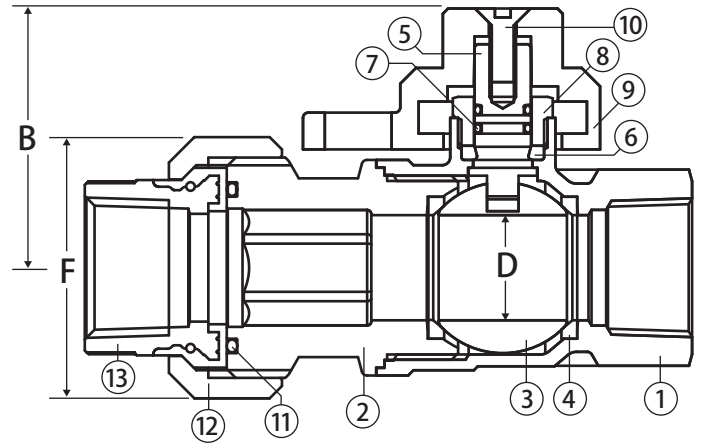


Painted



T.E.A. Coated

175-LWIN



Features

- Tamper resistant lockwing cap
- 2 Viton® o-rings
- Full port design to accommodate industry leading stop changers
- Lockwing accommodates standard barrel locks
- Maintenance free design
- 100% leak tested
- 100% Made in Italy
- Leakproof stem - Lifetime Warranty

Approvals

- CSA Certified (3/4" - 1")
 - CGA 3.16 (125G)
 - ANSI B1.20.3 (125G)
- Meets or exceeds applicable part of DOT 192
- MSS SP-110

Pressure Rating

- 175 PSIG
- Temp range: -40°F to 300°F



WARNING: This product can expose you to chemicals including lead, which is known to the State of California to cause cancer, and lead, which is known to the State of California to cause birth defects or other reproductive harm. For more information go to www.P65Warnings.ca.gov.



Material Specifications

No.	Part	Materials
1	Body*	Brass - CW617N
2	End Connection*	Brass - CW617N
3	Ball	Chrome Plated Brass - CW617N
4	Seat (2)	Hostaflon® TFM 1600
5	Stem	Brass - CW614N
6	Packing	Buna-N
7	Stem O-ring (2)	Viton®
8	Packing Gland	Brass - CW614N
9	Lockwing Cap*	Brass - CW617N
10	Screw	304 Stainless Steel
11	Union O-ring	Viton®
12	Union Nut*	Brass - CW617N
13	Insulated Tail Piece*	Zytel® / Brass - CW614N

*Component may be T.E.A. coated or AGA painted depending upon selection

Dimensions

Part No.	Size	A	B	C	D	E	F
241-004_	3/4"	4.58	1.87	1.50	0.79	1.08	1.81
241-005_	1"	5.49	2.15	1.73	0.97	1.30	2.40
241-006_	1-1/4"	5.78	2.21	2.00	1.23	1.50	2.57

_ = Specify coating: D = Brass, P = Painted, T = T.E.A. Coated

Lockwing



Utility Gas Ball Valve • Full Port • Service Bypass • 125 PSIG • with Insulated Tail Piece



125-LWIBP

Features

- Tamper resistant lockwing cap
- 2 Viton® o-rings
- Full port design to accommodate industry leading stop changers
- Lockwing accommodates standard barrel locks
- Maintenance free design
- 100% leak tested
- 100% Made in Italy
- Leakproof stem - Lifetime Warranty
- Patented security shutter and lockwing tab
 - US Patent no. 6,648,009

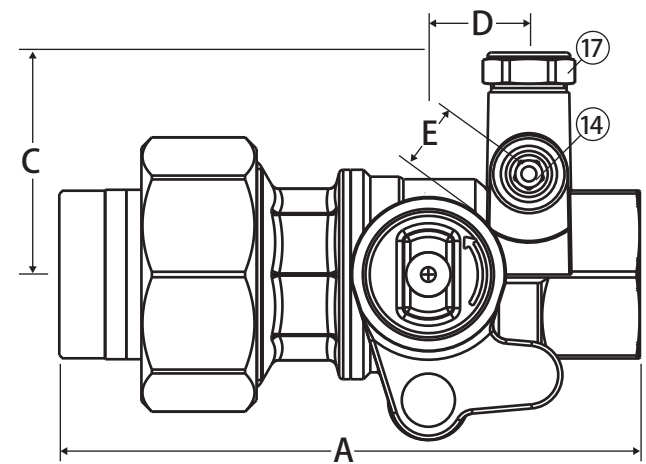
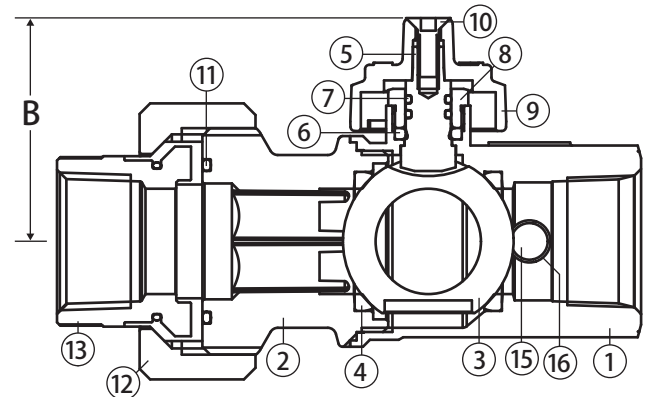
Approvals

- Meets or exceeds applicable part of DOT 192 and ANSI B16.33
- MSS SP-110

Pressure Rating

- 125 PSIG
- Temp range: -40°F to 300°F

WARNING: This product can expose you to chemicals including lead, which is known to the State of California to cause cancer, and lead, which is known to the State of California to cause birth defects or other reproductive harm. For more information go to www.P65Warnings.ca.gov.



Material Specifications

No.	Part	Materials
1	Body	Brass - CW617N
2	End Connection	Brass - CW617N
3	Ball	Chrome Plated Brass - CW617N
4	Seat (2)	Hostaflo® TFM 1600
5	Stem	Brass - CW614N
6	Packing	Buna-N
7	Stem O-ring (2)	Viton®
8	Packing Gland	Brass - CW614N
9	Lockwing Cap	Brass - CW617N
10	Screw	304 Stainless Steel
11	Union O-ring	Viton®
12	Union Nut	Brass - CW617N
13	Insulated Tail Piece	Zytel® / Brass - CW614N
14	Bypass Plug	Brass - CW614N
15	Bypass Set Screw	Brass - CW614N
16	Bypass O-ring	Viton®
17	Bypass Cap	Brass - CW614N

Dimensions

Part No.	Size	A	B	C	D	E
243-005D	1"	5.50	2.05	2.08	0.95	0.59

Lockwing



Utility Gas Ball Valve • Full Port • Service Bypass • 175 PSIG • with Insulated Tail Piece



175-LWIBP

Features


- Tamper resistant lockwing cap
- 2 Viton® o-rings
- Full port design to accommodate industry leading stop changers
- Lockwing accommodates standard barrel locks
- Maintenance free design
- 100% leak tested
- 100% Made in Italy
- Leakproof stem - Lifetime Warranty
- Patented security shutter and lockwing tab
 - US Patent no. 6,648,009

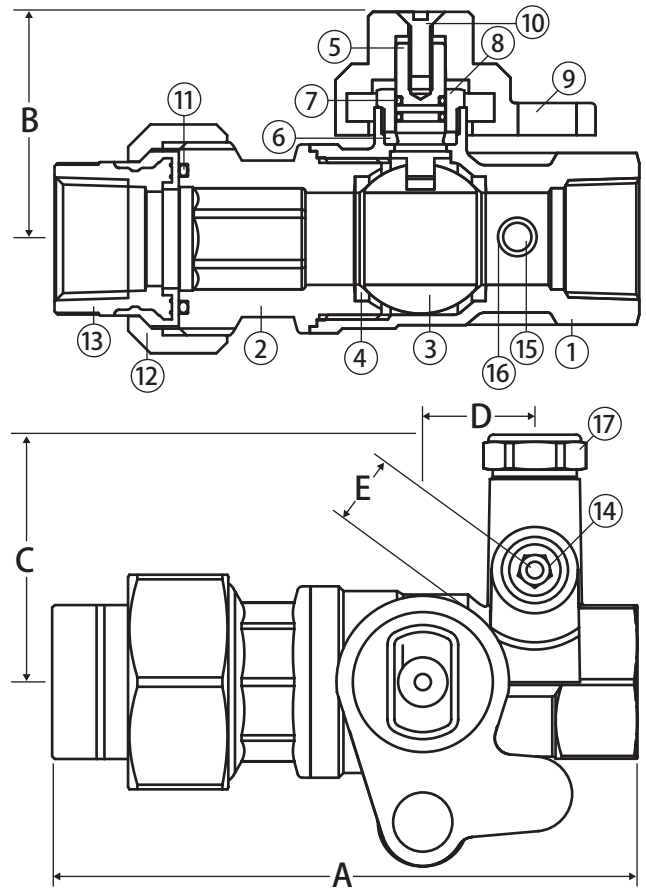
Approvals

- CSA Certified
 - ANSI B16.33 (125G)
- Meets or exceeds applicable part of DOT 192
- MSS SP-110

Pressure Rating

- 175 PSIG
- Temp range: -40°F to 300°F

 **WARNING:** This product can expose you to chemicals including lead, which is known to the State of California to cause cancer, and lead, which is known to the State of California to cause birth defects or other reproductive harm. For more information go to www.P65Warnings.ca.gov.



Material Specifications

No.	Part	Materials
1	Body	Brass - CW617N
2	End Connection	Brass - CW617N
3	Ball	Chrome Plated Brass - CW617N
4	Seat (2)	Hostaflon® TFM 1600
5	Stem	Brass - CW614N
6	Packing	Buna-N
7	Stem O-ring (2)	Viton®
8	Packing Gland	Brass - CW614N
9	Lockwing Cap	Brass - CW617N
10	Screw	304 Stainless Steel
11	Union O-ring	Viton®
12	Union Nut	Brass - CW617N
13	Insulated Tail Piece	Zytel® / Brass - CW614N
14	Bypass Plug	Brass - CW614N
15	Bypass Set Screw	Brass - CW614N
16	Bypass O-ring	Viton®
17	Bypass Cap	Brass - CW614N

Dimensions

Part No.	Size	A	B	C	D	E
243-004D	3/4"	4.71	2.06	2.09	0.95	0.59

Lockwing



Utility Gas Ball Valve • Full Port • Service Bypass • 125 PSIG with Union Tail Piece



125-LWUBP

Features

- Tamper resistant lockwing cap
- 2 Viton® o-rings
- Full port design to accommodate industry leading stop changers
- Lockwing accommodates standard barrel locks
- Maintenance free design
- 100% leak tested
- 100% Made in Italy
- Leakproof stem - Lifetime Warranty
- Patented security shutter and lockwing tab
 - US Patent no. 6,648,009

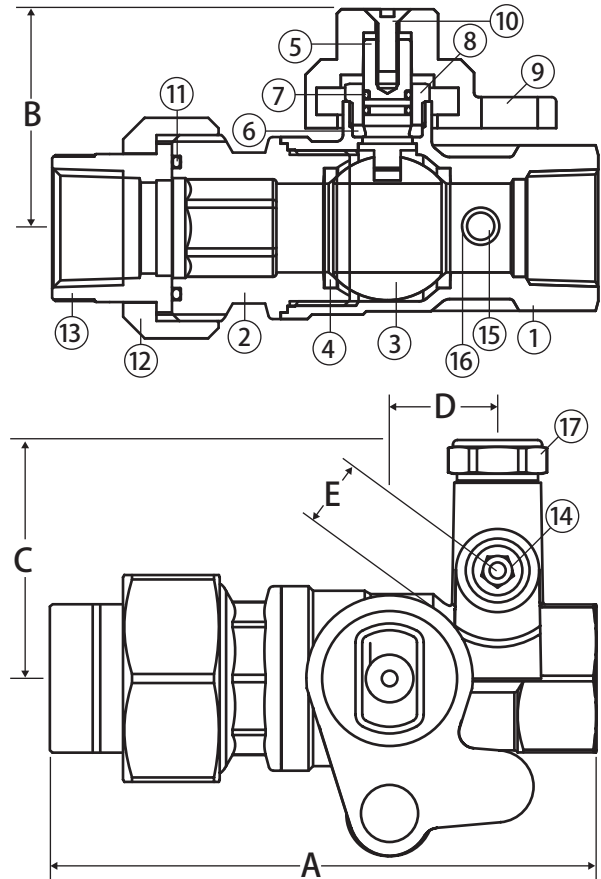
Approvals

- Meets or exceeds applicable part of DOT 192 and ANSI B16.33
- MSS SP-110

Pressure Rating

- 125 PSIG
- Temp range: -40°F to 300°F

WARNING: This product can expose you to chemicals including lead, which is known to the State of California to cause cancer, and lead, which is known to the State of California to cause birth defects or other reproductive harm. For more information go to www.P65Warnings.ca.gov.



Material Specifications

No.	Part	Materials
1	Body*	Brass - CW617N
2	End Connection*	Brass - CW617N
3	Ball	Chrome Plated Brass - CW617N
4	Seat (2)	Hostafion® TFM 1600
5	Stem	Brass - CW614N
6	Packing	Buna-N
7	Stem O-ring (2)	Viton®
8	Packing Gland	Brass - CW614N
9	Lockwing Cap*	Brass - CW617N
10	Screw	304 Stainless Steel
11	Union O-ring	Viton®
12	Union Nut*	Brass - CW617N
13	Tail Piece*	Brass - CW614N
14	Bypass Plug*	Brass - CW614N
15	Bypass Set Screw	Brass - CW614N
16	Bypass O-ring	Viton®
17	Bypass Cap*	Brass - CW614N

*Component may be AGA painted depending upon selection

Dimensions

Part No.	Size	A	B	C	D	E
244-105_	1"	4.50	2.21	2.18	0.95	0.59

_ = Specify coating: B = Brass, P = Painted

Lockwing



Utility Gas Ball Valve • Full Port • Service Bypass • 125 PSIG • with Meter Nut and Swivel Connection



125-LWBP-S

Features


- Tamper resistant lockwing cap
- Meter nut and swivel connects directly to meter
- Lockwing accommodates standard barrel locks
- Maintenance free design
- 2 Viton® o-rings
- 100% leak tested
- 100% Made in Italy
- Leakproof stem - Lifetime Warranty
- Patented security shutter and lockwing tab
 - US Patent no. 6,648,009

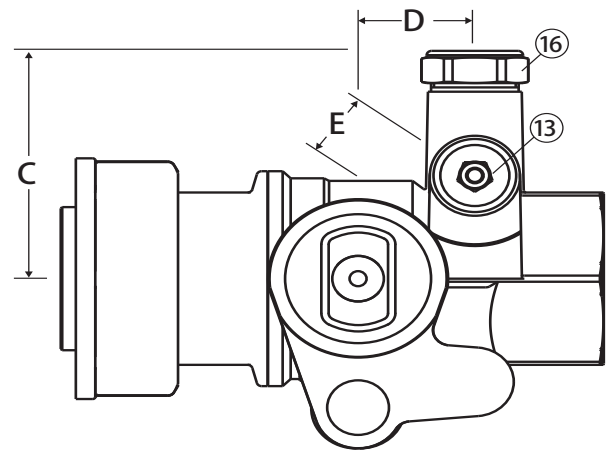
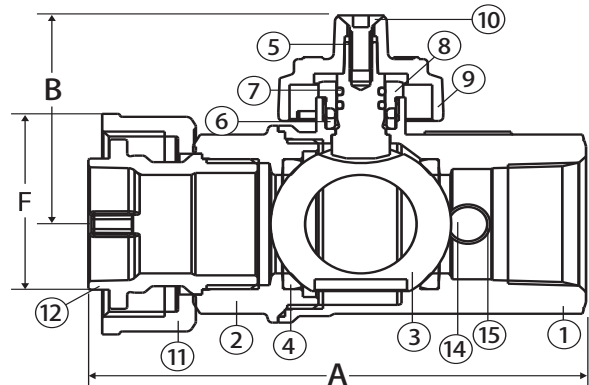
Approvals

- CSA Certified
 - CGA 3.16 (125G)
 - ANSI B16.33 (125G)
- Meets or exceeds applicable part of DOT 192
- MSS SP-110

Pressure Rating

- 125 PSIG
- Temp range: -40°F to 300°F

 **WARNING:** This product can expose you to chemicals including lead, which is known to the State of California to cause cancer, and lead, which is known to the State of California to cause birth defects or other reproductive harm. For more information go to www.P65Warnings.ca.gov.



Material Specifications

No.	Part	Materials
1	Body	Brass - CW617N
2	End Connection	Brass - CW617N
3	Ball	Chrome Plated Brass - CW617N
4	Seat (2)	Hostaflo® TFM 1600
5	Stem	Brass - CW614N
6	Packing	Buna-N
7	Stem O-ring (2)	Viton®
8	Packing Gland	Brass - CW614N
9	Lockwing Cap	Brass - CW617N
10	Screw	304 Stainless Steel
11	Union Nut	Brass - CW617N
12	Tail Piece	Brass - CW617N
13	Bypass Plug	Brass - CW614N
14	Bypass Set Screw	Brass - CW614N
15	Bypass O-ring	Viton®
16	Bypass Cap	Brass - CW614N

Dimensions

Part No.	Size	A	B	C	D	E	F
245-005B	1"	4.21	2.09	2.09	0.94	0.59	20LT
245-105B	1"	4.21	2.09	2.09	0.94	0.59	30LT

Lockwing



Utility Gas Ball Valve • Full Port • Service Bypass • 125 PSIG



125-LWBP

Features


- Tamper resistant lockwing cap
- 2 Viton® o-rings
- Full port design to accommodate industry leading stop changers
- Lockwing accommodates standard barrel locks
- Maintenance free design
- 100% leak tested
- 100% Made in Italy
- Leakproof stem - Lifetime Warranty
- Patented security shutter and lockwing tab
 - US Patent no. 6,648,009

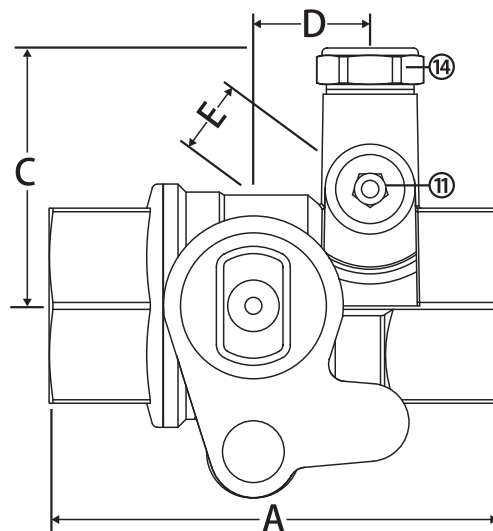
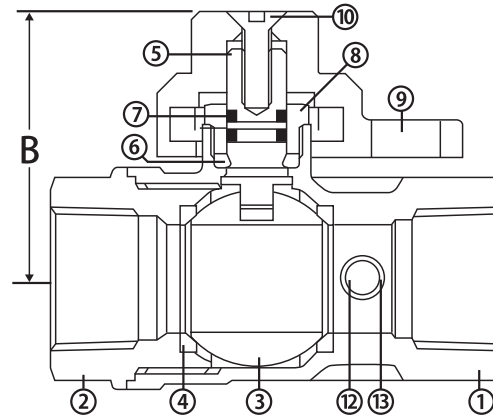
Approvals

- CSA Certified
 - ANSI B16.33 (125G)
- Meets or exceeds applicable part of DOT 192

Pressure Rating

- 125 PSIG
- Temp range: -40°F to 300°F
- MSS SP-110

 **WARNING:** This product can expose you to chemicals including lead, which is known to the State of California to cause cancer, and lead, which is known to the State of California to cause birth defects or other reproductive harm. For more information go to www.P65Warnings.ca.gov.



Material Specifications

No.	Part	Materials
1	Body*	Brass - CW617N
2	End Connection*	Brass - CW617N
3	Ball	Chrome Plated Brass - CW617N
4	Seat (2)	Hostafion® TFM 1600
5	Stem	Brass - CW614N
6	Packing	Buna-N
7	Stem O-ring (2)	Viton®
8	Packing Gland	Brass - CW614N
9	Lockwing Cap*	Brass - CW617N
10	Screw	304 Stainless Steel
11	Bypass Plug*	Brass - CW614N
12	Bypass Set Screw	Brass - CW614N
13	Bypass O-ring	Viton®
14	Bypass Cap*	Brass - CW614N

*Component may be AGA painted depending upon selection

Dimensions

Part No.	Size	A	B	C	D	E
244-005_	1"	3.65	2.21	2.18	0.95	0.59

_ = Specify coating: B = Brass, P = Painted

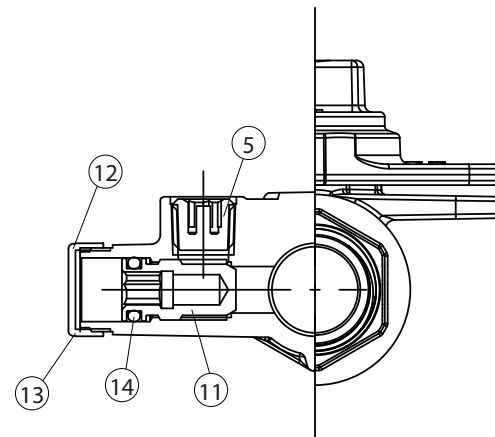
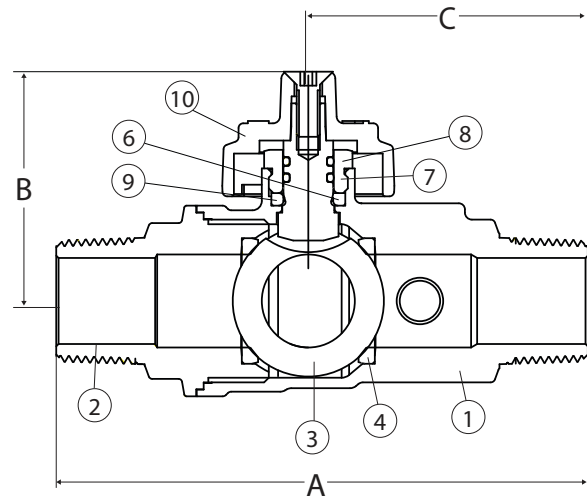
Lockwing



Utility Gas Ball Valve • Full Port • Male x Male Connection • Service Bypass • 175 PSIG



175-LWMBP



Features

- Tamper resistant lockwing cap
- 2 Viton® o-rings
- Full port design to accommodate industry leading stop changers
- Lockwing accommodates standard barrel locks
- Maintenance free design
- 100% leak tested
- 100% Made in Italy
- Leakproof stem - Lifetime Warranty
- Patented security shutter and lockwing tab
 - US Patent no. 6,648,009

Approvals

- CSA Certified
 - CGA 3.16 (175SG)
 - ANSI B16.33 (175G)
- Meets or exceeds applicable part of DOT 192 and ANSI B16.33
- MSS SP-110

Pressure Rating

- 175 PSIG
- Temp range: -20°F to 300°F

Material Specifications

No.	Part	Materials
1	Body	Chrome Plated Brass - CW617N
2	End Connection	Chrome Plated Brass - CW617N
3	Ball	Chrome Plated Brass - CW617N
4	Seat (2)	PTFE
5	Set Screw	Brass - CW614N
6	Stem	Brass - CW614N
7	Stem O-ring (2)	FKM
8	Packing Gland	Brass - CW614N
9	Packing	NBR
10	Lockable Cap	Brass - CW617N
11	Shutter	Brass - CW614N
12	Washer	Vulkan Fiber
13	Cap	Brass - CW614N
14	Screw	304 Stainless Steel
14	Bypass Cap	Brass - CW614N

Dimensions

Part No.	Size	A	B	C	D
243-204B	3/4"	4.50	1.94	1.55	0.75

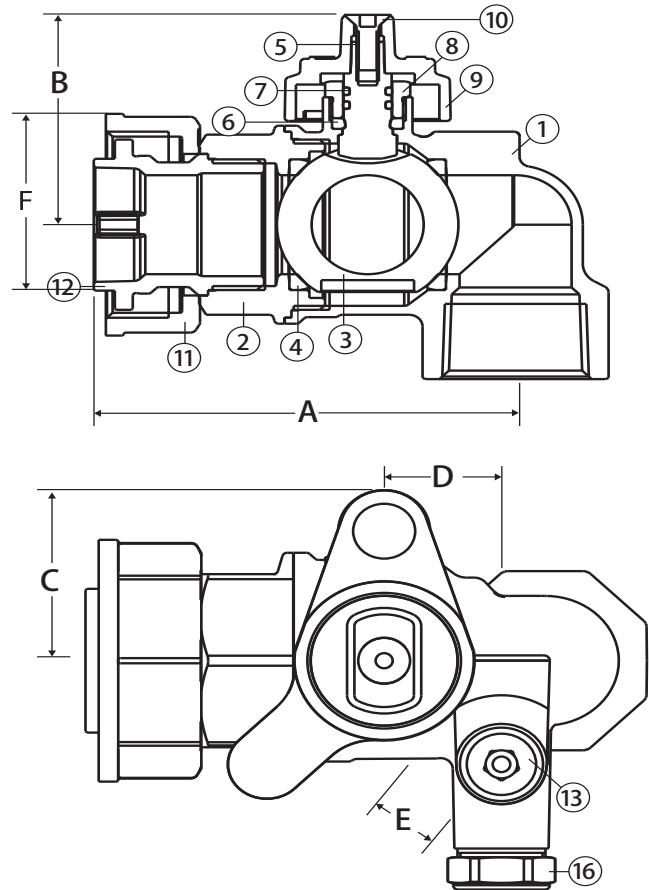
Lockwing



Utility Gas Ball Valve • Full Port • Service Bypass • 125 PSIG • with Meter Nut Swivel Connection • with Angle Body



125-LWBP-SA



Features

- Tamper resistant lockwing cap
- Meter nut and swivel connects directly to meter
- Lockwing accommodates standard barrel locks
- Maintenance free design
- 2 Viton® o-rings
- 100% leak tested
- 100% Made in Italy
- Leakproof stem - Lifetime Warranty
- Patented security shutter and lockwing tab
 - US Patent no. 6,648,009

Approvals

- CSA Certified
 - CGA 3.16 (125G)
 - ANSI B16.33 (125G)
- Meets or exceeds applicable part of DOT 192
- MSS SP-110

Pressure Rating

- 125 PSIG
- Temp range: -40°F to 300°F

Material Specifications

No.	Part	Materials
1	Body	Brass - CW617N
2	End Connection	Brass - CW617N
3	Ball	Chrome Plated Brass - CW617N
4	Seat (2)	Hostaflo® TFM 1600
5	Stem	Brass - CW614N
6	Packing	Buna-N
7	Stem O-ring (2)	Viton®
8	Packing Gland	Brass - CW614N
9	Lockwing Cap	Brass - CW617N
10	Screw	304 Stainless Steel
11	Union Nut	Brass - CW617N
12	Tail Piece	Brass - CW614N
13	Bypass Plug	Brass - CW614N
14	Bypass Set Screw*	Brass - CW614N
15	Bypass O-ring*	Viton®
16	Bypass Cap	Brass - CW614N

*Not Shown

Dimensions

Part No.	Size	A	B	C	D	E	F
245-005BA	1"	3.52	2.09	2.09	0.94	0.59	20LT
245-105BA	1"	3.52	2.09	2.09	0.94	0.59	30LT

WARNING: This product can expose you to chemicals including lead, which is known to the State of California to cause cancer, and lead, which is known to the State of California to cause birth defects or other reproductive harm. For more information go to www.P65Warnings.ca.gov.

Commercial Bypass Lockwing



1 1/4" Commercial Bypass with 30 LT Nut and Swivel • Utility Gas Ball Valve • Full Port • Service Bypass • 175 PSIG



Brass

175-LWBP Commercial

Features

- Tamper resistant lockwing cap
- 2 Viton® o-rings
- Full port design to accommodate industry leading stop changers
- Lockwing accommodates standard barrel locks
- Maintenance free design
- 100% leak tested
- 100% Made in Italy
- Leakproof stem - Lifetime Warranty
- 3/4" bypass valve

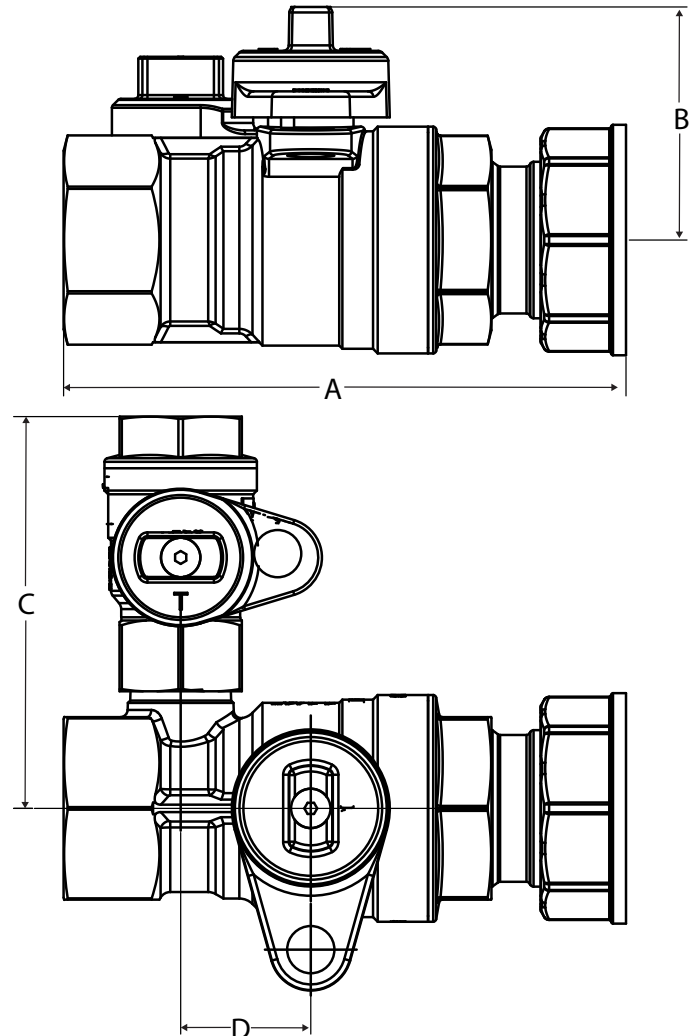
Approvals

- Meets or exceeds applicable part of DOT 192 and ANSI B16.33
- MSS SP-110

Pressure Rating

- 175 PSIG
- Temp range: -40°F to 300°F

WARNING: This product can expose you to chemicals including lead, which is known to the State of California to cause cancer, and lead, which is known to the State of California to cause birth defects or other reproductive harm. For more information go to www.P65Warnings.ca.gov.



Material Specifications

No.	Part	Materials
1	Body*	Brass - CW617N
2	End Connection*	Brass - CW617N
3	Ball	Chrome Plated Brass - CW617N
4	Seat (2)	Hostafilon® TFM 1600
5	Stem	Brass - CW614N
6	Packing	Buna-N
7	Stem O-ring (2)	Viton®
8	Packing Gland	Brass - CW614N
9	Lockwing Cap*	Brass - CW617N
10	Screw	304 Stainless Steel
11	Bypass Valve*	(See 175-LWN Spec Sheet)

*Components may be TEA coated depending on selection

Dimensions

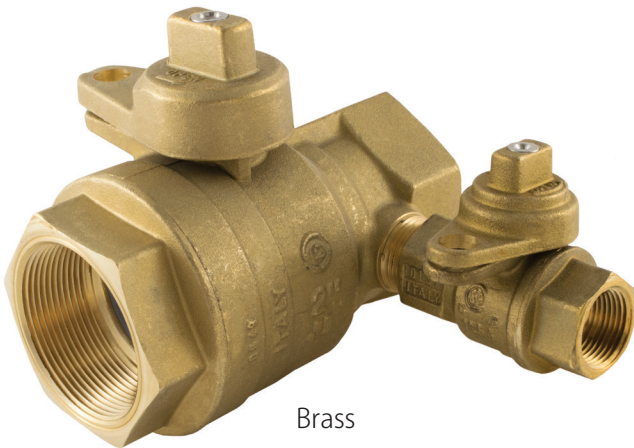
Part No.	Size	A	B	C	D
245-106B	1-1/4"	5.96	2.47	4.15	1.38

_ = Specify coating: D = Brass, T = T.E.A. Coated

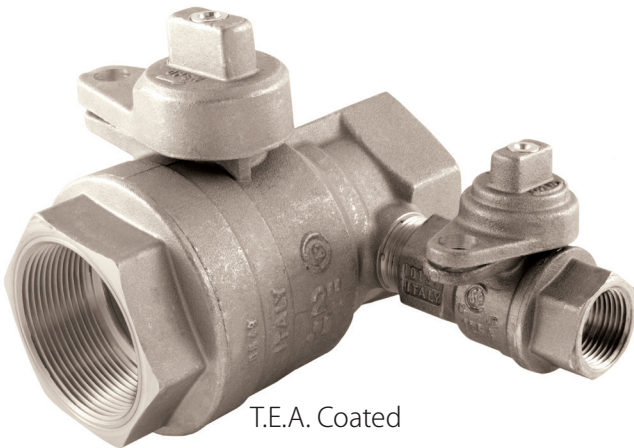
Commercial Lockwing



Utility Gas Ball Valve • Full Port • Service Bypass • 175 PSIG

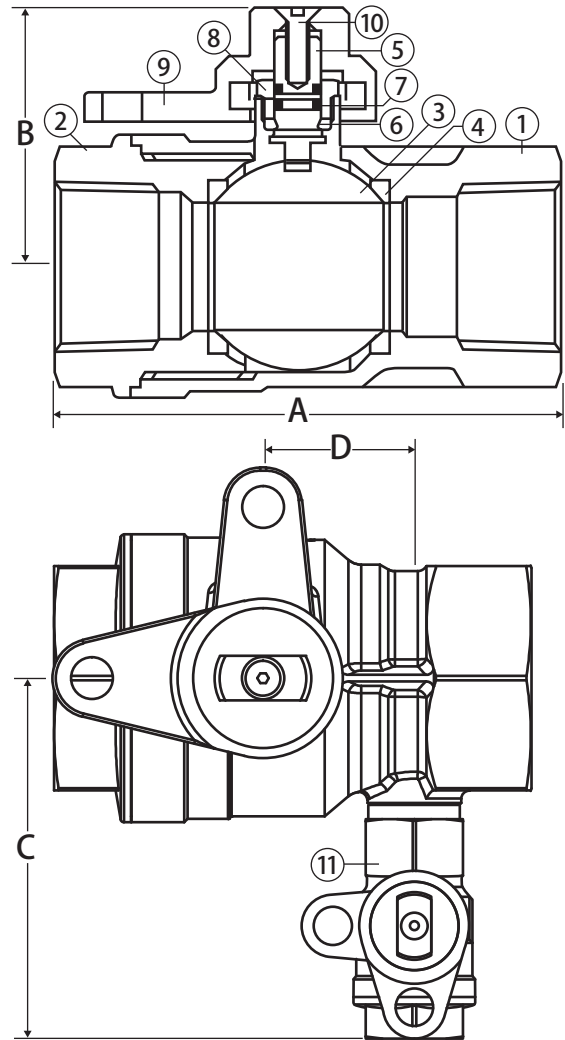


Brass



T.E.A. Coated

175-LWBP Commercial



Features

- Tamper resistant lockwing cap
- 2 Viton® o-rings
- Full port design to accommodate industry leading stop changers
- Lockwing accommodates standard barrel locks
- Maintenance free design
- 100% leak tested
- 100% Made in Italy
- Leakproof stem - Lifetime Warranty
- 3/4" bypass valve

Approvals

- Meets or exceeds applicable part of DOT 192 and ANSI B16.33
- MSS SP-110

Pressure Rating

- 175 PSIG
- Temp range: -40°F to 300°F



WARNING: This product can expose you to chemicals including lead, which is known to the State of California to cause cancer, and lead, which is known to the State of California to cause birth defects or other reproductive harm. For more information go to www.P65Warnings.ca.gov.

Material Specifications

No.	Part	Materials
1	Body*	Brass - CW617N
2	End Connection*	Brass - CW617N
3	Ball	Chrome Plated Brass - CW617N
4	Seat (2)	Hostafion® TFM 1600
5	Stem	Brass - CW614N
6	Packing	Buna-N
7	Stem O-ring (2)	Viton®
8	Packing Gland	Brass - CW614N
9	Lockwing Cap*	Brass - CW617N
10	Screw	304 Stainless Steel
11	Bypass Valve*	(See 175-LWN Spec Sheet)

*Components may be TEA coated depending on selection

Dimensions

Part No.	Size	A	B	C	D
244-006B	1-1/4"	4.54	2.47	4.15	1.38
244-007B	1-1/2"	4.84	3.11	4.37	1.52
244-008_	2"	5.73	3.32	4.51	1.81

_ = Specify coating: D = Brass, T = T.E.A. Coated

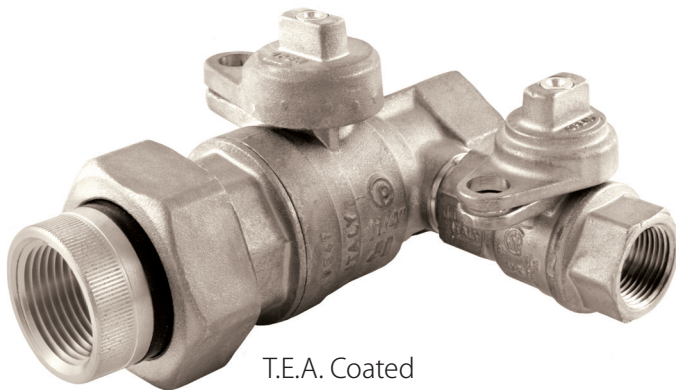
Commercial Lockwing



Utility Gas Ball Valve • Full Port • Service Bypass • 175 PSIG • with Insulated Tail Piece



Brass



T.E.A. Coated

175-LWIBP Commercial

Features

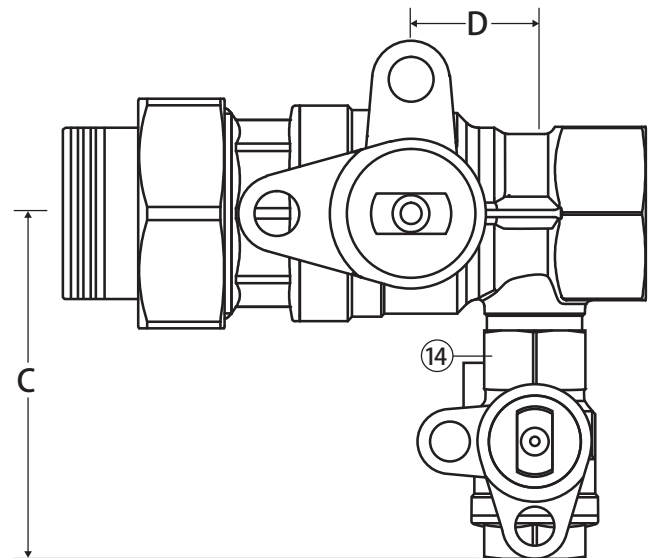
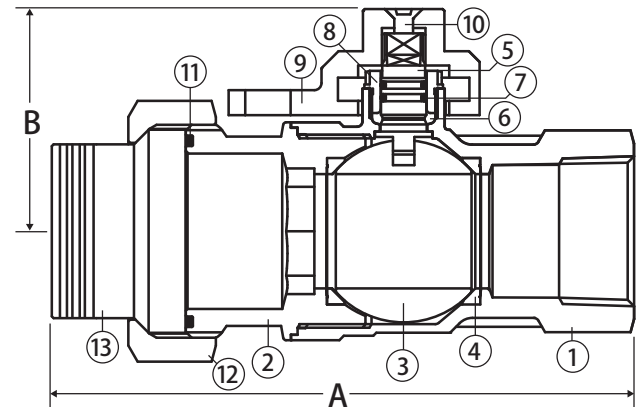
- Tamper resistant lockwing cap
- 2 Viton® o-rings
- Full port design to accommodate industry leading stop changers
- Lockwing accommodates standard barrel locks
- Maintenance free design
- 100% leak tested
- 100% Made in Italy
- Leakproof stem - Lifetime Warranty
- 3/4" bypass valve

Approvals

- Meets or exceeds applicable part of DOT 192 and ANSI B16.33
- MSS SP-110

Pressure Rating

- 175 PSIG
- Temp range: -40°F to 300°F



Material Specifications

No.	Part	Materials
1	Body*	Brass - CW617N
2	End Connection*	Brass - CW617N
3	Ball	Chrome Plated Brass - CW617N
4	Seat (2)	Hostafion® TFM 1600
5	Stem	Brass - CW614N
6	Packing	Buna-N
7	Stem O-ring (2)	Viton®
8	Packing Gland	Brass - CW614N
9	Lockwing Cap*	Brass - CW617N
10	Screw	304 Stainless Steel
11	Union O-ring	Viton®
12	Union Nut*	Brass - CW617N
13	Insulated Tail Piece*	Zytel® / Brass - CW614N
14	Bypass Valve*	(See 175-LWN Spec Sheet)

*Components may be TEA coated depending on selection

Dimensions

Part No.	Size	A	B	C	D
243-006_	1-1/4"	6.73	2.47	4.16	1.38

_ = Specify coating: D = Brass, T = T.E.A. Coated



WARNING: This product can expose you to chemicals including lead, which is known to the State of California to cause cancer, and lead, which is known to the State of California to cause birth defects or other reproductive harm. For more information go to www.P65Warnings.ca.gov.

Bypass Lockwing



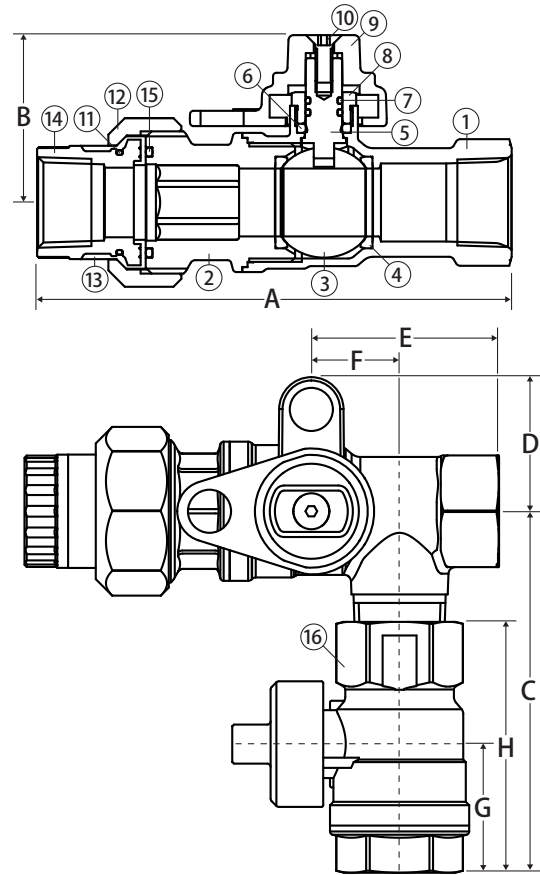
Utility Gas Ball Valve • Full Port • Service Bypass • 175 PSIG •

• 3/4" Insulated Valve with 3/4" Bypass



T.E.A. Coated

175-LWIBP



Features

- T.E.A. Ternary Eco Alloy® coated body, which prevents dezincification and galvanic corrosion
- Tamper resistant lockwing cap
- 2 Viton® o-rings
- Full port design to accommodate industry leading stop changers
- Lockwing accommodates standard barrel locks
- Maintenance free design
- 100% leak tested
- 100% Made in Italy
- Leakproof stem - Lifetime Warranty

Approvals

- Meets or exceeds applicable part of DOT 192 and ANSI B16.33
- MSS SP-110

Pressure Rating

- 175 PSIG
- Temp range: -40°F to 300°F



WARNING: This product can expose you to chemicals including lead, which is known to the State of California to cause cancer, and lead, which is known to the State of California to cause birth defects or other reproductive harm. For more information go to www.P65Warnings.ca.gov.

Material Specifications

No.	Part	Materials
1	Body	T.E.A. Coated Brass - CW617N
2	End Connection	T.E.A. Coated Brass - CW617N
3	Ball	Chrome Plated Brass - CW617N
4	Seat (2)	Hostaflo® TFM 1600
5	Stem	T.E.A. Coated Brass - CW614N
6	Packing	Buna-N
7	Stem O-ring (2)	Viton®
8	Packing Gland	T.E.A. Coated Brass - CW614N
9	Lockwing Cap	T.E.A. Coated Brass - CW617N
10	Screw	304 Stainless Steel
11	Union O-ring	Viton®
12	Union Nut	T.E.A. Coated Brass - CW617N
13	Tail Piece Insulation	Zytel®
14	Tail Piece	T.E.A. Coated Brass - CW617N
15	Union O-ring	Viton®
16	3/4" 175-LWN	See specification for materials

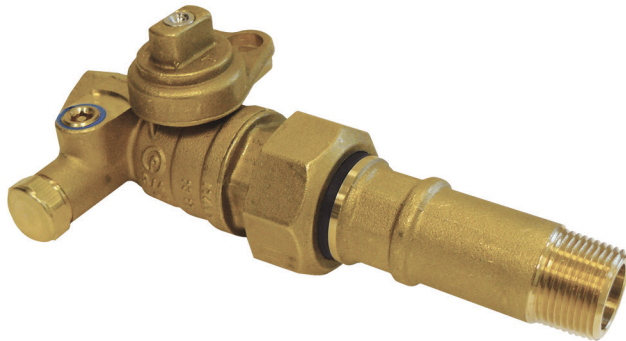
Dimensions

Part No.	Size	A	B	C	D	E	F	G	H
243-104T	3/4"	5.50	1.94	4.19	1.56	2.18	1.02	1.49	2.91

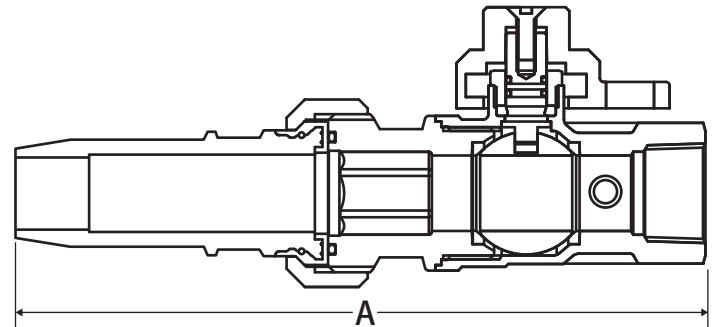
Lockwing



Utility Gas Ball Valve • Full Port • Service Bypass • 175 PSIG • with Insulated Extended Male Tail Piece



175-LWIBP-EXT



Features

- Tamper resistant lockwing cap
- 100% leak tested
- Made in Italy
- Leakproof stem - Lifetime Warranty
- Patented security shutter and lockwing tab
 - US Patent no. 6,648,009

Approvals

- Meets or exceeds applicable part of DOT 192 and ANSI B16.33
- MSS SP-110

Material Specifications

- See specs for 175-LWIBP

Dimensions

Part No.	Size	A
243-004EXT	3/4"	7.63

Pressure Rating

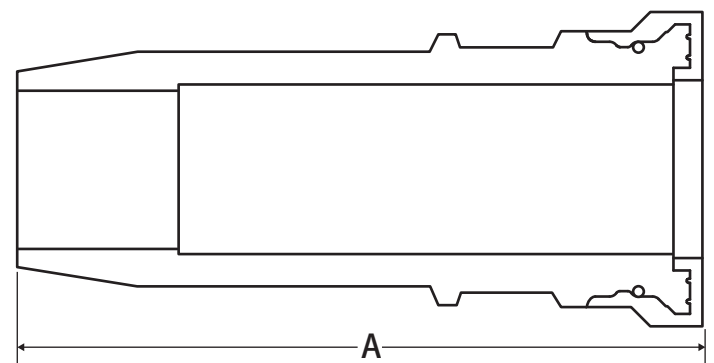
- 175 PSIG
- Temp range: -40°F to 300°F

Extended Tail Piece

Insulated Extended Male Tail Piece



Extended Male Tail Piece



Features

- To be ordered in conjunction with 175-LWIN
- 100% Made in Italy

Pressure Rating

- 175 PSIG
- Temp range: -40°F to 300°F

Material Specifications

No.	Part	Materials
1	Tail piece	Brass - CW617N

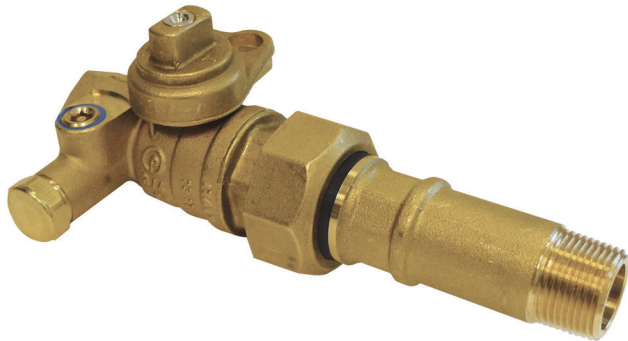
Dimensions

Part No.	Size	A
241-004EUM	3/4"	3.69

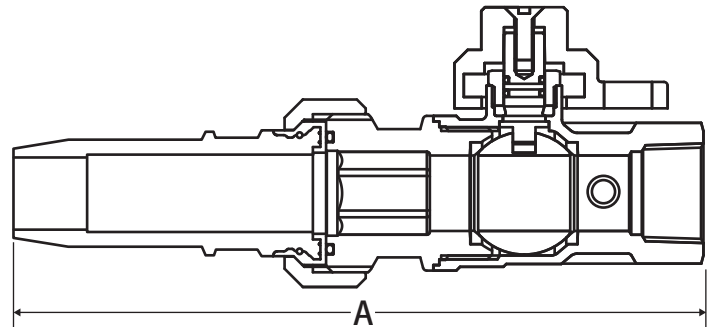
Lockwing



Utility Gas Ball Valve • Full Port • Service Bypass • 175 PSIG • with Insulated Extended Male Tail Piece



175-LWIBP-EXT



Features

- Tamper resistant lockwing cap
- 100% leak tested
- Made in Italy
- Leakproof stem - Lifetime Warranty
- Patented security shutter and lockwing tab
 - US Patent no. 6,648,009

Approvals

- Meets or exceeds applicable part of DOT 192 and ANSI B16.33
- MSS SP-110

Material Specifications

- See specs for 175-LWIBP

Dimensions

Part No.	Size	A
243-004EXT	3/4"	7.63

Pressure Rating

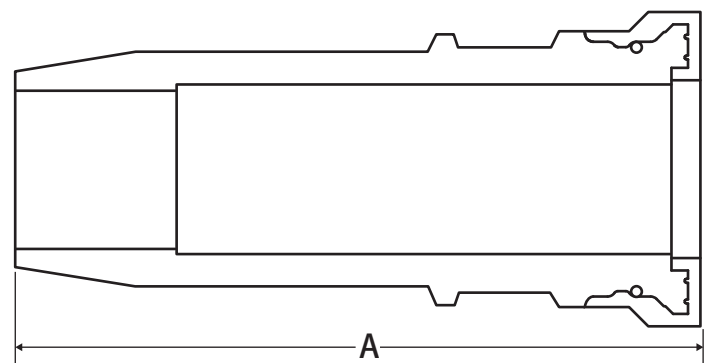
- 175 PSIG
- Temp range: -40°F to 300°F

Extended Tail Piece

Insulated Extended Male Tail Piece



Extended Male Tail Piece



Features

- To be ordered in conjunction with 175-LWIN
- 100% Made in Italy

Pressure Rating

- 175 PSIG
- Temp range: -40°F to 300°F

Material Specifications

No.	Part	Materials
1	Tail piece	Brass - CW617N

Dimensions

Part No.	Size	A
241-004EUM	3/4"	3.69